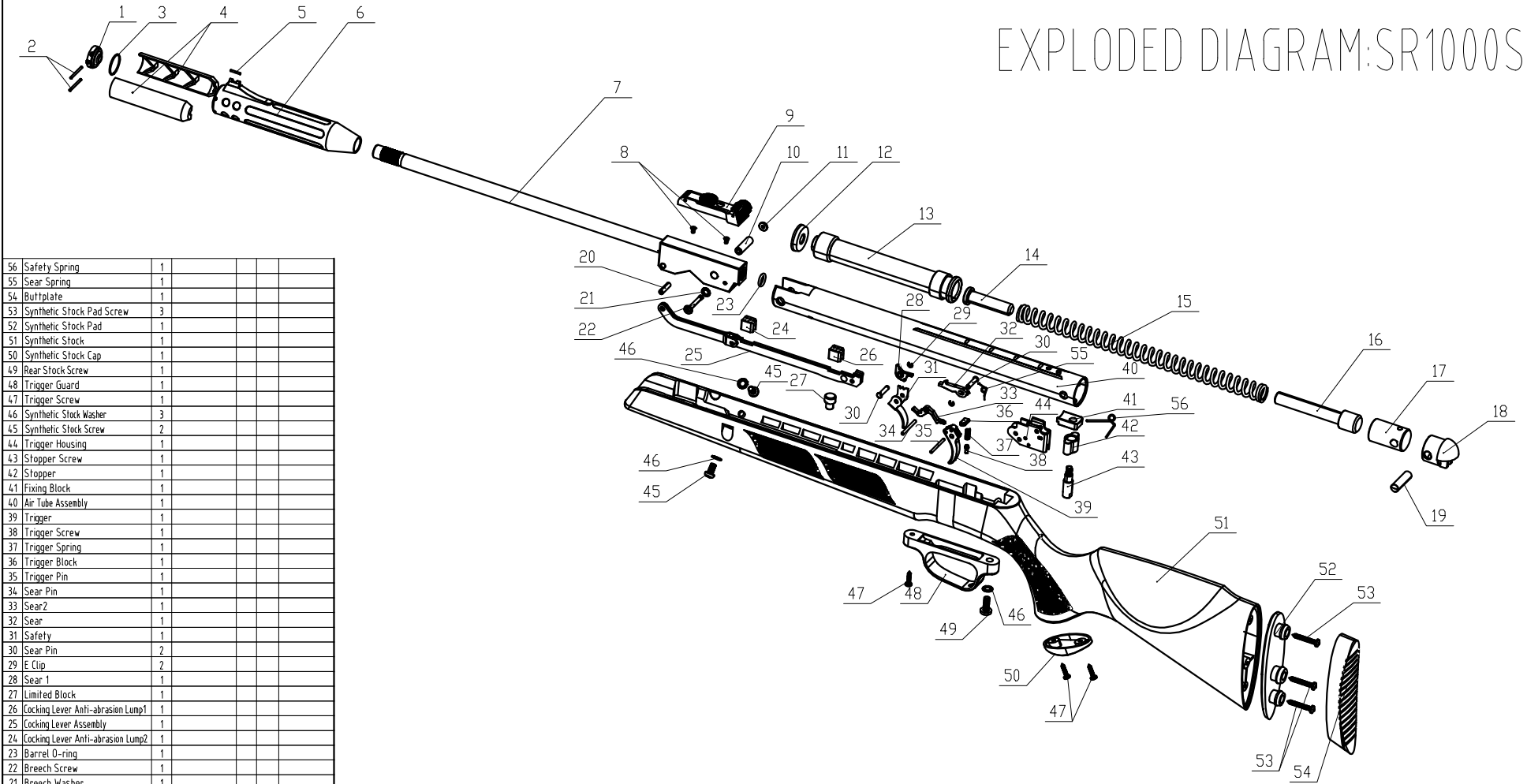


EXPLODED DIAGRAM:SR1000S



56	Safety Spring	1			
55	Sear Spring	1			
54	Boltplate	1			
53	Synthetic Stock Pad Screw	3			
52	Synthetic Stock Pad	1			
51	Synthetic Stock	1			
50	Synthetic Stock Cap	1			
49	Rear Stock Screw	1			
48	Trigger Guard	1			
47	Trigger Screw	1			
46	Synthetic Stock Washer	3			
45	Synthetic Stock Screw	2			
44	Trigger Housing	1			
43	Stopper Screw	1			
42	Stopper	1			
41	Fixing Block	1			
40	Air Tube Assembly	1			
39	Trigger	1			
38	Trigger Screw	1			
37	Trigger Spring	1			
36	Trigger Block	1			
35	Trigger Pin	1			
34	Sear Pin	1			
33	Sear2	1			
32	Sear	1			
31	Safety	1			
30	Sear Pin	2			
29	E Clip	2			
28	Sear 1	1			
27	Limited Block	1			
26	Cocking Lever Anti-abrasion Lump1	1			
25	Cocking Lever Assembly	1			
24	Cocking Lever Anti-abrasion Lump2	1			
23	Barrel O-ring	1			
22	Breech Screw	1			
21	Breech Washer	1			
20	Cocking Lever Pin	1			
19	Safety House Pin	1			
18	Safety House	1			
17	Piston Spring Cap	1			
16	Damping Rod	1			
15	Piston Spring	1			
14	Hammer	1			
13	Piston Assembly	1			
12	Piston Seal	1			
11	Breech Nut	1			
10	Breech Pin	1			
8	Rear Sight Assembly Fixing Screw	2			
7	Barrel Assembly	1			
6	Suppressor	1			
5	Front Sight Fiber	1			
4	Suppressor Liner	2			
3	Suppressor O-ring	1			
2	Suppressor Front Cover Pin	2			
1	Suppressor Front Cover	1			