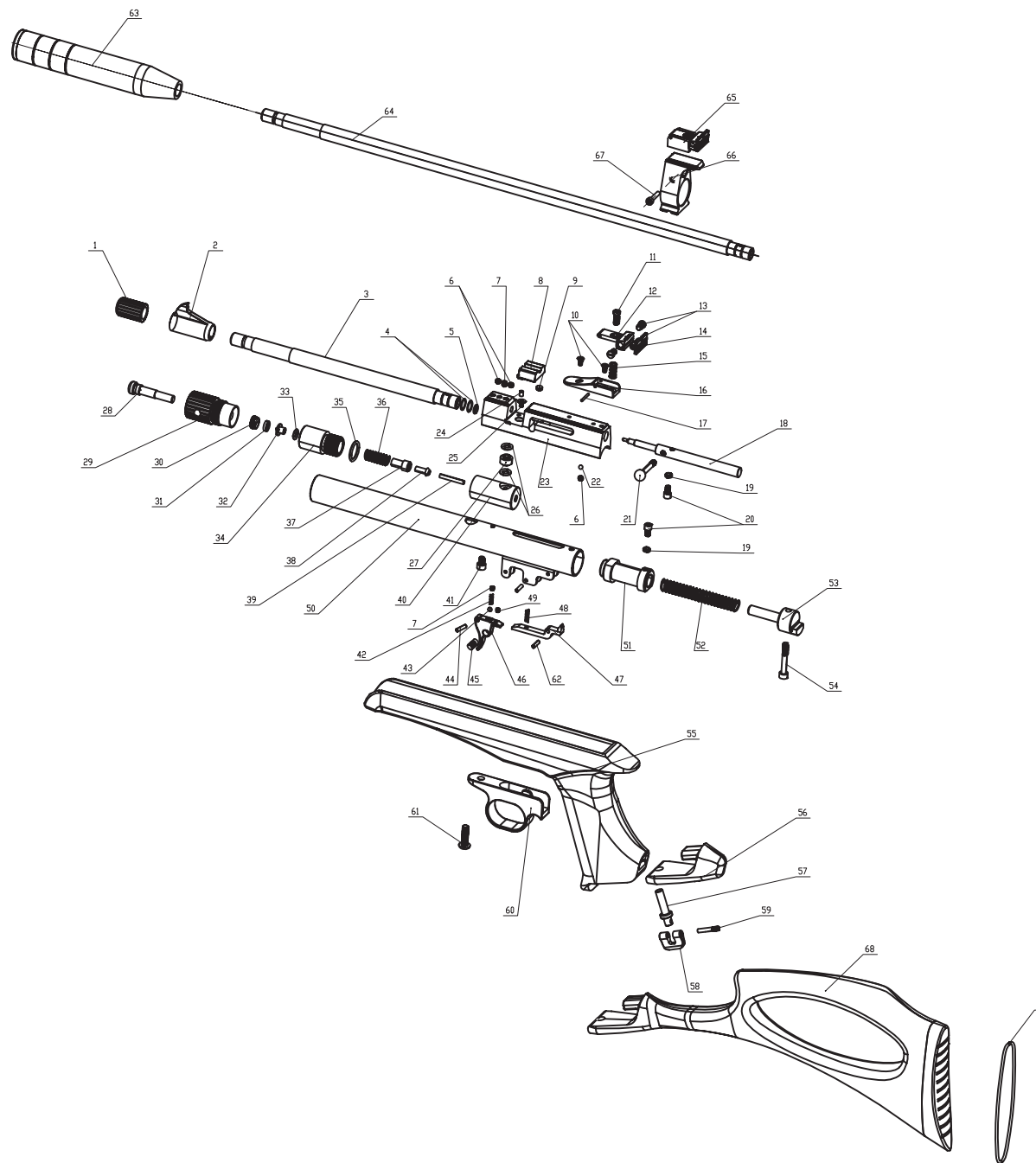


# Ersatzteile | Spare Parts

chaser



**DIANA®**

Mayer & Grammelspacher GmbH & Co.KG  
Postanschrift:  
Oesterweg 21 | 59469 Ense

Service:  
Auf den Geeren 23 | 59469 Ense

Telefon: 02938 97837 - 60  
Telefax: 02938 97837 - 162  
info@diana-airguns.de

www.diana-airguns.de

POS-No.	Description	Qty.
1	Front sight sleeve	1
2	Front sight	1
3	Pistol barrel	1
4	Barrel rear o-ring	2
5	Barrel front o-ring	1
6	Breech screw M4x3	3
7	Breech screw M4x4	1
8	Loading base	1
9	Magnet	1
10	Rear sight fixing screw M3x6	2
11	Rear sight base screw M4x8,5	1
12	Rear sight base	1
13	Rear sight base side screw M3x6	2
14	Rear sight	1
15	Rear sight spring	1
16	Rear sight block	1
17	Rear sight pin	1
18	Bolt	1
19	Bolt bush	2
20	Bolt screw M4x6	2
21	Handle	1
22	Rubber ball	1
23	Breech	1
24	Magnet	1
25	Breech screw M3x5	1
26	Connector o-ring	2
27	Connector	1
28	Strengthening rod	1
29	Locking sleeve	1
30	Puncture pin nut	1
31	Puncture pin seal	1
32	Puncture pin	1
33	Puncture pin o-ring	1
34	Valve 1	1
35	Valve o-ring	1

POS-No.	Description	Qty.
36	Valve spring	1
37	Exhaust valve core sleeve	1
38	Exhaust valve core	1
39	Exhaust valve core pin	1
40	Valve 2	1
41	Air tube screw M4x6	1
42	Safety spring	1
43	Steel ball	1
44	Trigger pin	2
45	Safety	1
46	Trigger	1
47	Sear	1
48	Sear spring	1
49	Trigger guard screw M3x3	1
50	Air tube assembly	1
51	Piston	1
52	Piston spring	1
53	Piston cover	1
54	Piston cover screw M4x27	1
55	Grip	1
56	Bottom cap	1
57	Bottom cap screw	1
58	Cliver	1
59	Cliver pin	1
60	Trigger guard	1
61	Trigger guard screw M5x16	1
62	Trigger pin	1
63	Silencer	1
64	Rifle barrel	1
65	Rear sight	1
66	Rear sight base	1
67	Rear sight base screw M3x16	1
68	Stock	1
69	Stock o-ring	1