



RIMFIRE

# MAUSER MP40

CAL. .22 LR HV



Version 07/2023  
Art. No.: 440.70.06.1

EN Instructions for Use  
DE Gebrauchsanleitung

FR Mode d'emploi  
ES Instrucciones de Uso

 **MADE IN  
GERMANY**

[www.germansportguns.de](http://www.germansportguns.de)

# MAUSER MP40 CAL. .22 LR HV



RIMFIRE

## INTRODUCTION

EN

DE

FR

ES

Description	Page
Safety instructions	2-3
Main parts/Technical data	4
Folding stock	5
Safety mechanism	5
Loading	6-7
Firing	7-8
Reload during firing	8
Unload the gun (magazine not empty)	8-9
Unload the gun (magazine empty)	9
Decocking the gun	10
Sights/Sight adjustment	10-11
Maintenance - disassembly	12-13
Trigger adjustment	13
Maintenance - cleaning	14
Maintenance - reassembling	14-15
Care of the gun	15
Trouble shooting	16
Safekeeping, storage and transport of the gun	17
Warranty repair	17
Disposal	17



### WARNING

THIS PRODUCT CAN EXPOSE YOU TO CHEMICALS INCLUDING LEAD, WHICH IS KNOWN TO THE STATE OF CALIFORNIA TO CAUSE CANCER AND BIRTH DEFECTS OR OTHER REPRODUCTIVE HARM. FOR MORE INFORMATION GO TO [WWW.P65WARNINGS.CA.GOV](http://WWW.P65WARNINGS.CA.GOV).



## SAFETY INSTRUCTIONS



### WARNING

FAILURE TO FOLLOW THE INSTRUCTIONS AND RECOMMENDATIONS IN THIS MANUAL MAY RESULT IN SEVERE BODILY INJURY (INCLUDING FACE INJURY, EYE INJURY, EAR INJURY, BLINDNESS, DEAFNESS) AND EVEN DEATH.

- Never use the gun under the influence of drugs or alcohol, while ill or suffering other such difficulties. These conditions can impair your powers of judgement and reflexes.
- Before using the gun, make sure you have fully understood all of the functions and are aware of any dangers that may result from not adhering to them.
- Always assume that the gun is loaded and that its safety is disengaged, until you have established the opposite
- Always keep the muzzle of the gun in a safe direction while handling the gun. A safe direction is towards an area where there are no people (including yourself) or animals or any items that are not a recognized target.
- Never point the gun at doors, panes of glass, walls, concrete, stone or flat surfaces (including water). A bullet can penetrate such surfaces or be ricocheted in an unsafe direction.
- Never rely on safety mechanisms alone and always treat your gun as if the safety mechanisms were not functioning. Safety mechanisms are not a substitute for careful, correct and secure handling of the gun.
- Never shoot with a gun which is obstructed by water, sand, dirt or other foreign debris.

# MAUSER MP40 CAL. .22 LR HV



RIMFIRE

## SAFETY INSTRUCTIONS

- Never lay away a loaded gun and always unload the gun immediately after firing, before you put the gun away, place it in a gun case or holster or hand it to another authorized person.
- Never store the gun loaded, but rather remove the magazine and ensure that no cartridge is left in the chamber of the barrel.
- Never give the gun to a person who has not thoroughly familiarized himself or herself with the safety instructions and handling of the gun by reading the instruction manual.
- Never leave the gun unattended, and protect the gun from unauthorized access.
- Always store the gun and the ammunition separate from one another and ensure that neither is obtained by unauthorized persons or children.
- Never rest or put your finger inside of the trigger guard except when shooting.
- Always make sure you have a proper backstop when shooting and do not aim at the sky.
- Make sure you and everyone around you uses ear protection and safety glasses.
- When shooting in enclosed shooting ranges, always make sure that you have adequate ventilation.
- Never try to cross obstacles, rivers, fences or anything similar with a loaded gun.
- Keep your fingers away from moveable parts such as the exposed part of the bolt inside the ejection port and loading handle as well as the muzzle.
- Only use commercial-grade ammunition that is manufactured in accordance to CIP or SAAMI Standards. Never use non-standard, refurbished or handloaded ammunition.
- Do not shoot any ammunition that came deformed straight out of the packaging or was deformed during a malfunction in your gun.
- Stop shooting and unload the gun if you notice any kind of malfunction (e.g. a jam).
- Squib loads will be noticed by an unusual light or non existing recoil and/or low or no muzzle blast. In those cases end shooting immediately until the gun has been checked and its barrel cleared by a professional gunsmith or armorer. Never ever try to shoot a stuck bullet by using another round!
- In case of a misfire wait at least a minute while pointing the rifle down range or in a safe direction before you unload the gun.



### WARNING

EYE PROTECTION AND EAR PROTECTION IS REQUIRED!  
WEAR APPROPRIATE SAFETY GLASSES (SHOOTING  
GLASSES) AND SUITABLE EAR PROTECTION!



# MAUSER MP40

CAL. .22 LR HV



RIMFIRE

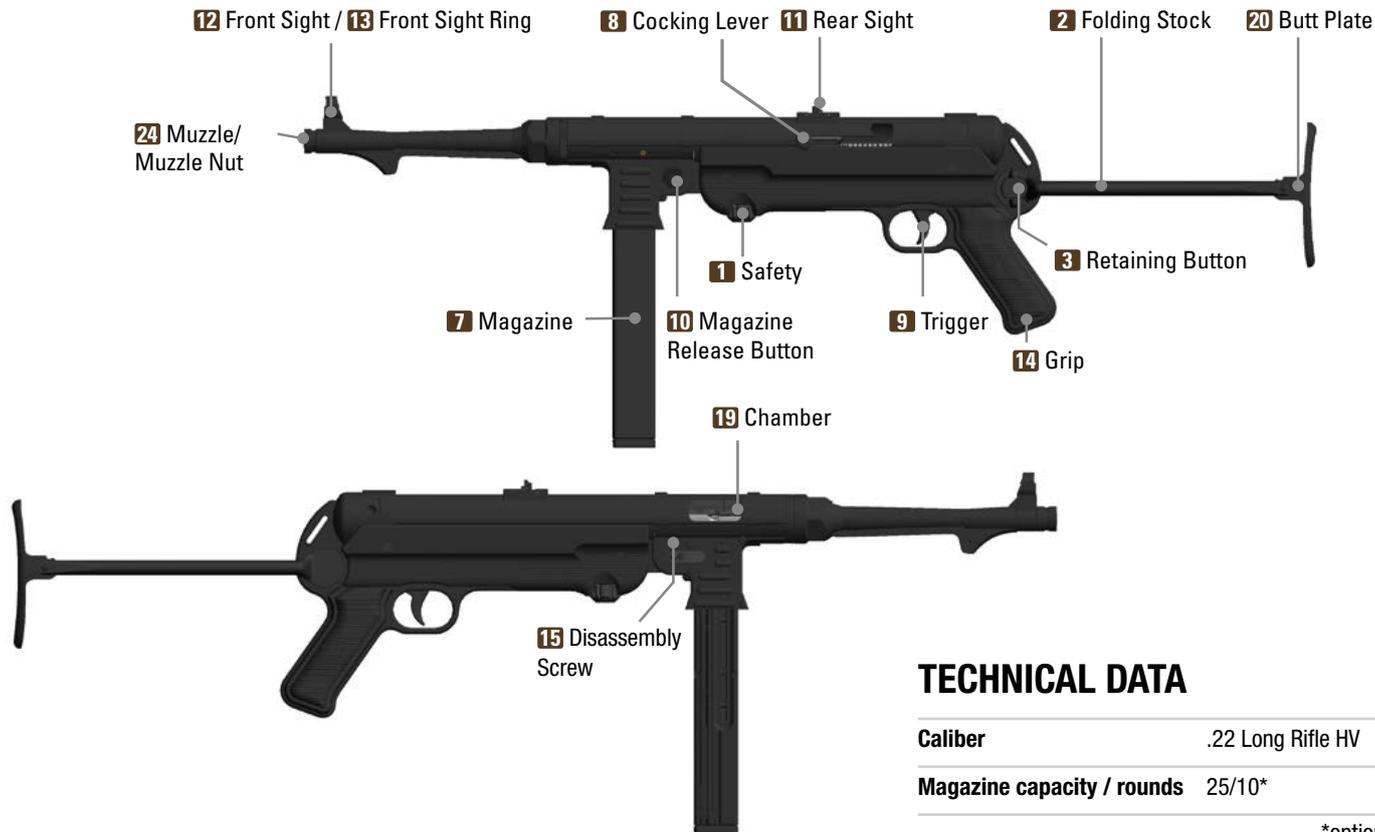
## MAIN PARTS

EN

DE

FR

ES



## TECHNICAL DATA

Caliber .22 Long Rifle HV

Magazine capacity / rounds 25/10\*

\*optional

# MAUSER MP40 CAL. .22 LR HV



RIMFIRE

## FOLDING STOCK



1. Fold the butt plate **20** forward and upward as shown.



2. Press the retaining button **3** and fold the folding stock **2** under the gun.

## SAFETY MECHANISM



1. Safety

If the symbol „S“ is visible from the side, the gun is secured. If the symbol „F“ is visible from the side, the gun is ready to fire.

**Note:** If you remove the magazine **7**, the trigger is blocked.

## SAFETY MECHANISM

### WARNING

ALWAYS KEEP THE GUN UNCOCKED AND UNLOADED WITH SAFETY ENGAGED "S" UNTIL YOU ARE READY TO SHOOT.

### WARNING

NEVER POINT THE GUN AT ANYTHING YOU DO NOT INTEND TO SHOOT.  
NEVER POINT A GUN AT PEOPLE OR ANIMALS.

# MAUSER MP40 CAL. .22 LR HV

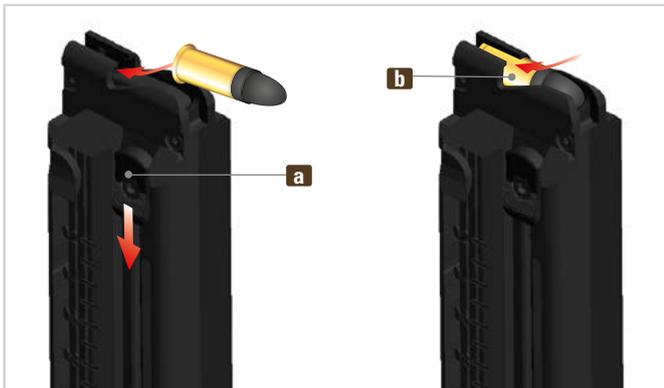


RIMFIRE

## LOADING THE MAGAZINE

### WARNING

FOR YOUR GUN, USE ONLY COMMERCIAL-GRADE AMMUNITION (MANUFACTURED TO CIP OR SAAMI STANDARDS) IN ITS ORIGINAL PACKAGING WHICH CORRESPONDS WITH THE CALIBER OF THE GUN. THE CORRECT CALIBER IS PRINTED ON THE GUN. NEVER USE NON-STANDARD, REFURBISHED OR HANDLOADED AMMUNITION.



1. Pull down the feeder taps **a** of the magazine **7** and insert the cartridge **b** into the magazine (push it to the back stop of the magazine as shown).

**Note:** Load only the quantity of cartridges into the magazine you want to fire (max. 25/10\* cartridges).

## LOADING THE GUN

### WARNING

ALWAYS KEEP THE GUN UNCOCKED AND UNLOADED WITH SAFETY ENGAGED "S" UNTIL YOU ARE READY TO SHOOT.

### WARNING

- THE SAFETY SHOULD ALWAYS BE IN THE POSITION "S" (SAFETY ENGAGED). NEVER LOAD OR RELOAD THE GUN IN A VEHICLE, A ROOM OR ANOTHER SMALL AREA (EXCEPT A PROPER SHOOTING RANGE). BEFORE LOADING, ALWAYS WIPE OFF ANY EXCESS GREASE AND OIL AND CHECK TO SEE IF THERE ARE ANY FOREIGN OBJECTS/MATERIAL IN THE BARREL.
  - ALWAYS KEEP THE MUZZLE OF THE GUN POINTED IN A **SAFE DIRECTION**.
  - DO NOT PUT YOUR FINGER ON THE TRIGGER. KEEP YOUR FINGER OUTSIDE THE TRIGGER GUARD. LOAD THE GUN BY PUSHING IN THE MAGAZINE ONLY DIRECTLY BEFORE FIRING.
  - PULL THE COCKING LEVER BACK TO LOAD THE FIRST CARTRIDGE. **NEVER RELY ON THE SAFETY MECHANISMS ALONE.**
- SAFETY MECHANISM ARE NO SUBSTITUTE FOR CAREFUL AND CORRECT HANDLING OF THE GUN.**
- NEVER LET A LOADED GUN OUT OF YOUR HANDS.

EN

DE

FR

ES

# MAUSER MP40 CAL. .22 LR HV



RIMFIRE



1. Insert the loaded magazine **7** as shown until it is fully engaged.



2. Pull the cocking lever **8** back until it stops and allow it to slide forward. The rifle is loaded and cocked.

## FIRING

### WARNING

- DISCHARGE THIS FIREARM ONLY WHEN THE STOCK IS ENGAGED.
- BE CERTAIN THAT YOUR FINGERS, HANDS OR OTHER PARTS OF THE BODY ARE NOT IN FRONT OF, ABOVE OR BESIDE THE BARREL MUZZLE OR THE EJECTION PORT DURING FIRING.
- NEVER ALLOW ANY PERSON OR ANIMAL TO STAND NEXT TO YOU WHERE THEY COULD BE HIT BY EJECTED CARTRIDGE CASES.
- WHEN SHOOTING, ALWAYS WEAR EAR PROTECTION AND PROTECTIVE EYE GLASSES. INFORM OTHER PEOPLE CLOSE TO YOU THAT THEY, TOO, NEED TO WEAR EYE AND EAR PROTECTION.
- INTERRUPT SHOOTING IMMEDIATELY AND UNLOAD THE GUN IF YOU SUSPECT THAT A CARTRIDGE IS NOT INSERTED CORRECTLY, A CASE IS JAMMED, A BULLET MAY HAVE BLOCKED THE BARREL OR A SHOT SOUNDS OR GIVES THE SENSATION THAT IT MAY BE "WEAK" OR UNUSUAL.
- NEVER TRY TO SHOOT OUT A STUCK BULLET BY FIRING ANOTHER ONE "ON TOP".

### CAUTION

WHILE SHOOTING, NEVER HOLD THE GUN BY THE MAGAZINE, THIS MAY CAUSE MALFUNCTIONS. USE THE HANDGUARD TO HOLD THE GUN.

# MAUSER MP40 CAL. .22 LR HV



RIMFIRE

MAGAZINE NOT  
EMPTY

## FIRING



1. Turn the safety **1** to the position „F“. The rifle is loaded, cocked and ready to fire. To begin shooting, aim at a safe target and pull the trigger **9**.  
. **Note:** The breech bolt is held in the open position after the last shot.

## RELOAD DURING FIRING

### WARNING

- KEEP THE GUN POINTED IN A SAFE DIRECTION.
- REMOVE THE FINGER FROM THE TRIGGER.
- TURN THE SAFETY KNOB TO THE POSITION “S”.



- Press the magazine release lever **10** and remove the magazine **7** from the gun.
- Insert the loaded magazine until it is fully engaged.
- Pull the cocking lever back **8** until it stops and allow it to slide forward.
- The rifle is reloaded and cocked.

## UNLOADING THE GUN

### WARNING

NEVER LET THE GUN OUT OF YOUR HANDS BEFORE IT IS UNLOADED.

### WARNING

- WHEN THE GUN IS LOADED, A CARTRIDGE IS IN THE CHAMBER.
- NEVER PLACE YOUR HAND OVER THE EJECTION PORT.
- KEEP THE MUZZLE OF THE GUN IN A SAFE DIRECTION.
- TURN THE SAFETY TO THE POSITION “S”.



1. Engage the Safety and press the magazine release lever **10** to remove the magazine **7**.

EN

DE

FR

ES

# MAUSER MP40 CAL. .22 LR HV



RIMFIRE

## UNLOADING THE GUN MAGAZINE EMPTY



2. Pull the cocking lever **8** back until it stops. Hold it in this position to allow the cartridge to be ejected. Check (visually and manually with appropriate aid) to ensure that the cartridge has been ejected and the chamber is empty.

Allow the cocking lever to slide back forward.

### **WARNING**

THE GUN IS NOW UNLOADED, BUT NOT DECOCKED!



3. Empty the magazine. Pick up the ejected cartridge and clean the gun.



1. Engage the safety and press the magazine release lever **10** to remove the magazine **7**. The ejection port must be open after the last round. Check (visually and manually with appropriate aid) to ensure that the cartridge has been ejected and the chamber is empty.

### **WARNING**

THE GUN IS NOW UNLOADED, BUT NOT DECOCKED!

# MAUSER MP40 CAL. .22 LR HV



RIMFIRE

## DECOCKING THE GUN

EN

DE

FR

ES

### **WARNING**

ENSURE THAT THERE IS NO CARTRIDGE IN THE BARREL OR IN THE CHAMBER.

#### **Decocking:**

1. Remove the empty magazine.
2. Insert the level indicator into the chamber.
3. Pull the cocking lever back and allow it to slide forward. The slide must move forward at the same time so that the ejection port closes.
4. Insert an **empty** magazine.
5. Turn the safety in position "F", point the gun in a safe direction and pull the trigger.

### **CAUTION**

PULL THE TRIGGER ONLY WHEN AN EMPTY MAGAZINE IS INSERTED AND WHEN NO CARTRIDGE HAS BEEN LEFT IN THE CHAMBER.

6. The hammer strikes forward, the rifle is now decocked.
7. Turn the safety in position "S" and take out the empty magazine.

### **WARNING**

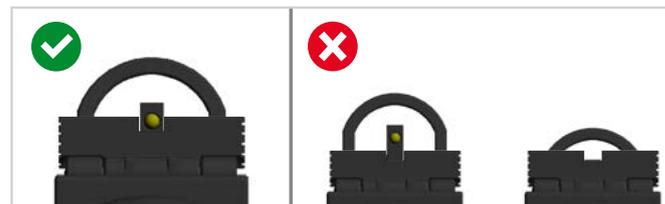
WHEN YOU PUSH BACK THE COCKING LEVER AFTER THIS PROCEDURE, IT WILL GO BACK TO THE COCKED POSITION, AND THE GUN WILL BE READY TO FIRE AGAIN!



## SIGHTS

### **WARNING**

NEVER POINT THE GUN AT ANYTHING YOU DO NOT INTEND TO SHOOT.  
NEVER POINT A GUN AT PEOPLE OR ANIMALS.



1. Aiming

# MAUSER MP40 CAL. .22 LR HV



RIMFIRE

## SIGHT ADJUSTMENT

### WARNING

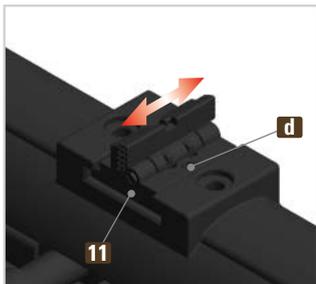
ALWAYS TURN THE SAFETY TO THE "S" POSITION AND KEEP THE MUZZLE OF THE GUN POINTED IN A SAFE DIRECTION WHEN PERFORMING ADJUSTMENTS ON THE GUN.



#### 1. Quick adjustment of the rear sight:

Fold the rear sight blade **c** up to hit higher.

Fold the rear sight blade **c** down to hit lower.



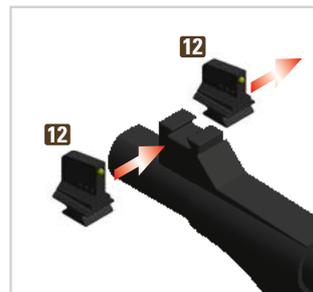
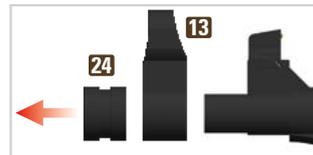
#### 2. Windage adjustment:

Loosen the fixing screw **d**.

**If the point of impact is too far right:** Adjust rear sight **11** to the left.

**If the point of impact is too far left:** Adjust rear sight **11** to the right.

Fasten the fixing screw **d**.



#### 3. Elevation adjustment Front

##### Sight:

Unscrew the muzzle cap **24** and remove the front sight ring **13** to the front.

Now push the front sight aside and replace it with a shorter or a longer one. Your gun includes four additional front sights of different heights. The middle front sight (3 points) is preassembled.

If the point of impact is too high,

use a larger front sight **12**.

If the point of impact is too low, use a smaller front sight **12**.



Slide the front sight ring **13** over the front sight and fix it with the muzzle cap **24**.

# MAUSER MP40 CAL. .22 LR HV



RIMFIRE

## MAINTENANCE - DISASSEMBLY

EN

DE

FR

ES

### WARNING

- ENGAGE THE SAFETY "S".
- KEEP THE GUN POINTED IN A SAFE DIRECTION.
- REMOVE THE FINGER FROM THE TRIGGER.
- ENSURE THAT THE CHAMBER IS EMPTY.
- CHECK AND ENSURE THAT THE GUN IS UNLOADED AND DECOCKED.



2. Gently pull back the grip section **14** and remove it upwards.



1. Remove the disassembly screw **15**.



3. Unscrew the cocking lever **8** from the system **16**.

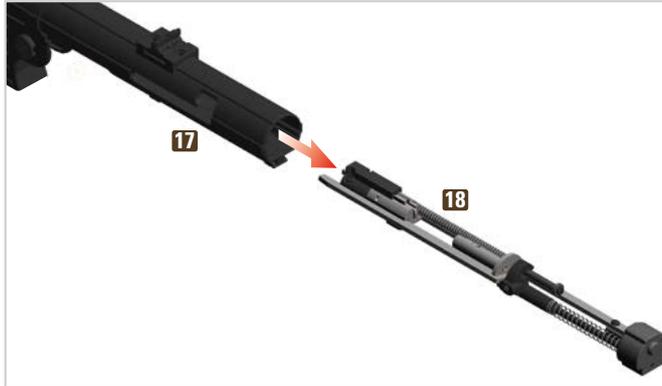
# MAUSER MP40

CAL. .22 LR HV



RIMFIRE

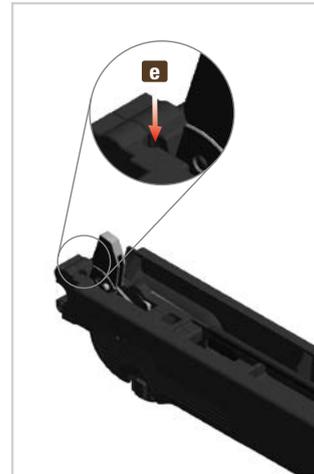
## MAINTENANCE - DISASSEMBLY



4. Remove the breech block **18** from the receiver housing **17**.

## TRIGGER ADJUSTMENT

**Note:** Use an allen key 2 mm to adjust the trigger.



When the gun is cocked, the sear engages with the sear lever. The sear engagement can be adjusted by turning the screw. This is mainly responsible for the trigger travel, but it also influences the trigger pull.

In order to reduce sear engagement, turn engagement screw **e** clockwise.  
In order to increase sear engagement, turn engagement screw **e** counter-clockwise.

**Note:** The screw is already screwed in completely by factory.

# MAUSER MP40 CAL. .22 LR HV



RIMFIRE

## MAINTENANCE - CLEANING

EN

DE

FR

ES

### CAUTION

- DO NOT DISASSEMBLE YOUR GUN ANY FURTHER. THE CLEANING CAN BE DONE WITHOUT FURTHER DISASSEMBLING. FURTHER DISASSEMBLING OF THE RIFLE SHOULD ONLY TO BE MADE BY QUALIFIED PERSONNEL.
- DO NOT USE A STEEL BRUSH OR ANY OTHER HARD OR SHARP MATERIAL TO CLEAN THE BARREL. THIS COULD DAMAGE THE INTERIOR SURFACE OF THE BARREL. USE ONLY A SUITABLE CLEANING ROD AND BRUSHES OF THE RIGHT CALIBER.
- SOLVENTS MIGHT DAMAGE THE SURFACE OF THE RIFLE. BEFORE USING ANY CLEANER OR SOLVENT, PLEASE REFER TO THE INSTRUCTIONS OF THE MANUFACTURER.

### Procedure:

Lubricate a suitable cleaning brush with a thin layer of gun oil and insert it into the barrel via the chamber. Use the brush to carefully remove all powder residues and dirt in the barrel and chamber.

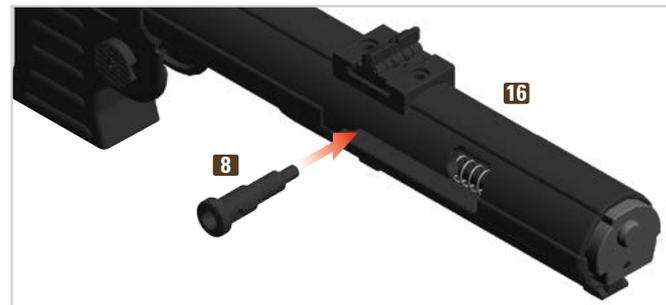
Wipe powder residues and oil from the barrel bore and chamber with cleaning patches.

Oil the chamber and the barrel lightly.

## MAINTENANCE - REASSEMBLING



5. Slide the breech block **18** back into the receiver housing **17** as shown .



6. Screw the cocking lever **8** into the system **16**.

# MAUSER MP40 CAL. .22 LR HV



RIMFIRE

## CARE OF THE GUN

### ⚠ CAUTION

- ALWAYS KEEP YOUR GUN IN IMMACULATE CONDITION AND IN GOOD WORKING ORDER.
- ALWAYS CLEAN YOUR GUN AFTER USE.
- NEVER MODIFY OR REPAIR PARTS OF YOUR GUN BY YOURSELF.
- HAVE YOUR GUN CHECKED ONCE EVERY 12 MONTHS BY A QUALIFIED GUNSMITH OR ARMORER BECAUSE DEFECTS, WEAR, CORROSION, ETC. ARE NOT ALWAYS VISIBLE FROM THE OUTSIDE.
- FOR REPAIR OR SERVICE WORK, HOWEVER, WE RECOMMEND THAT YOU RETURN THE GUN TO YOUR DEALER / IMPORTER WHO ALWAYS HOLDS A FULL RANGE OF SPARE PARTS IN STOCK.



7. Put the grip **14** back into the system **16**.



8. Fix the grip with the disassembly screw **15**.

# MAUSER MP40 CAL. .22 LR HV



RIMFIRE

## TROUBLE SHOOTING - JAM REMOVAL

EN

DE

FR

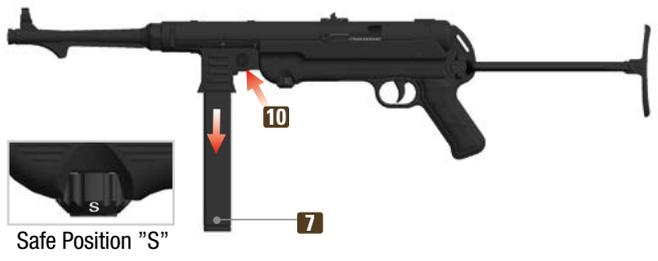
ES

### CAUTION

GUN MAINTENANCE (CLEANING AND INSPECTION) IN ACCORDANCE WITH THE INSTRUCTIONS PROVIDED CAN PREVENT MALFUNCTIONS. SHOULD NEVERTHELESS A MALFUNCTION OCCUR DURING SHOOTING, PROCEED AS FOLLOWS:

### WARNING

- ENGAGE THE SAFETY "S".
- HOLD THE GUN POINTED IN A SAFE DIRECTION AND IN THE FIRING DIRECTION (SAFE DIRECTION) AND KEEP YOUR FINGER OFF THE TRIGGER AS YOU PERFORM THE STEPS DESCRIBED BELOW.



1. Engage the safety and press the magazine release button **10** to remove the magazine **7**.



Pull the cocking lever **8** back until it stops and hold it in this position.

3. Remove all cartridges, cases or foreign bodies.
4. Verify (visually or with a tool) that there is no projectile, cartridge, case or foreign body in the barrel bore or chamber. Allow the cocking lever to slide back forward.
5. If a projectile is locked in the bore, strip the rifle and have the blockage removed with a suitable tool by a qualified gunsmith.
6. Clean, lubricate and reassemble the rifle.
7. Have the gun inspected by a gunsmith or armorer.

# MAUSER MP40 CAL. .22 LR HV



RIMFIRE

## SAFEKEEPING, STORAGE AND TRANSPORT OF THE GUN

### STORAGE

#### **WARNING**

- ALWAYS STORE YOUR GUN UNLOADED AND IN CLEANED CONDITION.
- STORE YOUR GUN SEPARATELY FROM ITS AMMUNITION AND UNDER LOCK AND KEY.
- THE GUN AND AMMUNITION MUST NOT BE ACCESSIBLE TO CHILDREN AND OTHER INEXPERIENCED OR UNAUTHORIZED PERSONS.
- ENSURE THAT ALL APPLICABLE LAWS GOVERNING THE STORAGE OF FIREARMS ARE COMPLIED WITH.

### TRANSPORT

#### **WARNING**

- FOR YOUR OWN SAFETY AND THE SAFETY OF OTHERS, ALWAYS TRANSPORT THE GUN **UNLOADED, DECOCKED AND CLOSED WITH THE CHAMBER FLAG INDICATOR INSIDE THE CHAMBER.**
- NEVER CARRY A GUN THAT HAS ALREADY BEEN COCKED OR HAS A BULLET IN THE CHAMBER.
- TRANSPORT THE GUN SEPERATE FROM THE AMMUNITION.
- ENSURE THAT ALL APPLICABLE LAWS GOVERNING THE TRANSPORT OF FIREARMS ARE COMPLIED WITH.

### WARRANTY REPAIR

In case of warranty, please contact your dealer. Describe the problem and attach the appropriate purchase receipt.

### DISPOSAL

Strictly observe any current national legislation governing the disposal of firearms.

### ASSESORIES

Find it under [www.germansportguns.de](http://www.germansportguns.de)

Essential information when ordering accessories:

- Gun Model (caliber, designation)
- Gun serial number
- Item number and index

The information provided in this Manual is subject to change without notice. Please check our website [www.germansportguns.de](http://www.germansportguns.de) for the latest downloadable version of the Manual, and learn further interesting facts about your model.

# MAUSER MP40 CAL. .22 LR HV



RIMFIRE

## EINLEITUNG

EN

DE

FR

ES

Beschreibung	Seite
Sicherheitshinweise	18-19
Benennungen/Technische Daten	20
Klappschaft	21
Sicherung	21
Laden	20-21
Schiessen	23-24
Nachladen während des Schießens	24
Entladen (Magazin nicht leer)	24-25
Entladen (Magazin leer)	25
Entspannen	26
Visierung/Visiereinstellung	26-27
Wartung - Demontage für die Reinigung	28-29
Abzugseinstellung	29
Wartung - Reinigung	30
Wartung - Montage	30-31
Pflege	31
Fehlerbehebung	32
Lagerung, sichere Aufbewahrung und Transport	33
Gewährleistung	33
Entsorgung	33

### **WARNUNG**

BEIM VERSCHIESSEN VON BLEIHALTIGER MUNITION MUSS AUF DIE WARNHINWEISE DER MUNITIONSHERSTELLER UND SCHIESSSTAND-BETREIBER GEACHTET WERDEN, DA BLEI IM VERDACHT STEHT KREBSERKRANKUNGEN HERVORZURUFEN.

## **SICHERHEITSHINWEISE**

### **WARNUNG**

DIE NICHTEINHALTUNG DER ANWEISUNGEN UND EMPFEHLUNGEN DIESES HANDBUCHS KANN ZU SCHWERER KÖRPERVERLETZUNG (U.A. GESICHTS-, AUGEN-, OHRVERLETZUNGEN, BLINDHEIT, GEHÖRLOSIGKEIT) SOWIE ZUM TOD FÜHREN.

- Verwenden Sie die Waffe niemals unter Einfluss von Drogen oder Alkohol, während Sie krank sind oder unter anderen Beeinträchtigungen leiden. Diese Umstände können Ihre Urteilskraft und Reflexe beeinträchtigen.
- Bevor Sie die Waffe benutzen, vergewissern Sie sich, dass Sie alle Funktionen vollständig verstanden haben und sich der Gefahren bewusst sind, die daraus resultieren, wenn Sie diese nicht beherrschen.
- Nehmen Sie immer an, dass Waffen geladen sind und dass die Sicherung deaktiviert ist, bis Sie sich vom Gegenteil überzeugt haben.
- Halten Sie die Mündung der Waffe während der Handhabung immer in eine sichere Richtung. Eine sichere Richtung ist in Richtung eines Bereichs, in dem sich keine Personen (einschließlich Sie selbst) oder Tiere oder keine Objekte befinden, die nicht Ziel sind.
- Richten Sie die Waffe niemals auf Türen, Glasscheiben, Wände, Beton, Stein oder flache Oberflächen (einschließlich Wasser). Ein Geschoss kann solche Flächen durchdringen oder in eine unsichere Richtung abprallen.
- Verlassen Sie sich niemals auf Sicherheitsmechanismen und behandeln Sie Ihre Waffe immer so, als würden die Sicherheitsmechanismen nicht funktionieren. Sicherheitsmechanismen ersetzen keinen sorgfältigen, korrekten und sicheren Umgang mit der Waffe.
- Schießen Sie niemals mit einer Waffe, die durch Wasser, Sand, Schmutz oder andere Fremdkörper behindert wird.

# MAUSER MP40 CAL. .22 LR HV



RIMFIRE

## SICHERHEITSHINWEISE

- Legen Sie niemals eine geladene Waffe aus der Hand. Entladen Sie die Waffe immer sofort nach dem Abfeuern, bevor Sie die Waffe absetzen, in ein Waffengehäuse oder Holster stecken oder sie einer anderen autorisierten Person aushändigen.
- Lagern Sie die Waffe niemals im geladenen Zustand, sondern entfernen Sie das Magazin und stellen Sie sicher, dass keine Patrone in der Kammer des Laufes verbleibt.
- Geben Sie die Waffe niemals einer Person, die sich nicht gründlich mit den Sicherheitsanweisungen und der Handhabung der Waffe, durch Lesen der Bedienungsanleitung, vertraut gemacht hat.
- Lassen Sie die Waffe niemals unbeaufsichtigt und schützen Sie sie vor unbefugtem Zugriff.
- Bewahren Sie die Waffe und die Munition getrennt voneinander auf und halten Sie beides von Unbefugten und Kindern fern.
- Legen Sie niemals den Finger an den Abzug, außer beim Schießen.
- Stellen Sie immer sicher, dass Sie beim Schießen einen geeigneten Kugelfang haben und nicht in den Himmel schießen.
- Stellen Sie sicher, dass Sie und alle Personen in Ihrer Nähe Gehörschutz und Schutzbrillen tragen.
- Achten Sie beim Schießen in geschlossenen Schießständen immer auf ausreichende Belüftung.
- Versuchen Sie niemals Hindernisse, Flüsse, Zäune oder Ähnliches mit einer geladenen Waffe zu überqueren.
- Halten Sie Ihre Finger von beweglichen Teilen wie dem freiliegenden Teil des Verschlusses in der Auswurföffnung und dem Ladegriff sowie von der Mündung fern.
- Verwenden Sie für Ihre Waffe nur handelsübliche Munition, die nach CIP oder SAAMI Standards hergestellt wurde. Verwenden Sie niemals nicht-standardisierte, wiederaufbereitete oder handgeladene Munition.
- Verschießen Sie keine Munition, die in irgendeiner Form verformt wurde oder bei einer Fehlfunktion der Waffe verformt wurde.
- Stoppen Sie das Schießen und entladen Sie die Waffe, wenn Sie irgendeine Art von Funktionsstörung wie z.B. einen Ausziehfehler, Zuführfehler, Auswurffehler oder Hülsenklemmer bemerken.
- Sollte durch eine niedrig oder gar nicht geladene Patrone ein Geschoss den Lauf nicht verlassen, werden Sie dies durch einen ungewöhnlichen leichten oder nicht vorhandenen Rückstoß und / oder niedrigen oder keinen Mündungsblitz bemerken. In diesen Fällen beenden Sie das Schießen sofort, bis die Waffe überprüft und der Lauf von einem professionellen Büchsenmacher vom steckengebliebenen Projektil befreit wurde. Versuchen Sie nie, eine festsitzende Kugel mit einem weiteren Schuss zu entfernen!
- Im Falle eines Zündversagers warten Sie mindestens eine Minute, während Sie die Waffe weiterhin im Anschlag auf Ihr Ziel oder in eine sichere Richtung richten, bevor Sie die Waffe entladen.



## WARNUNG

EIN AUGENSCHUTZ UND EIN GEHÖRSCHUTZ IST ERFORDERLICH! TRAGEN SIE EINE GEEIGNETE SICHERHEITSBRILLE (SCHIESSBRILLE) UND EINEN GEEIGNETEN GEHÖRSCHUTZ!



# MAUSER MP40 CAL. .22 LR HV



RIMFIRE

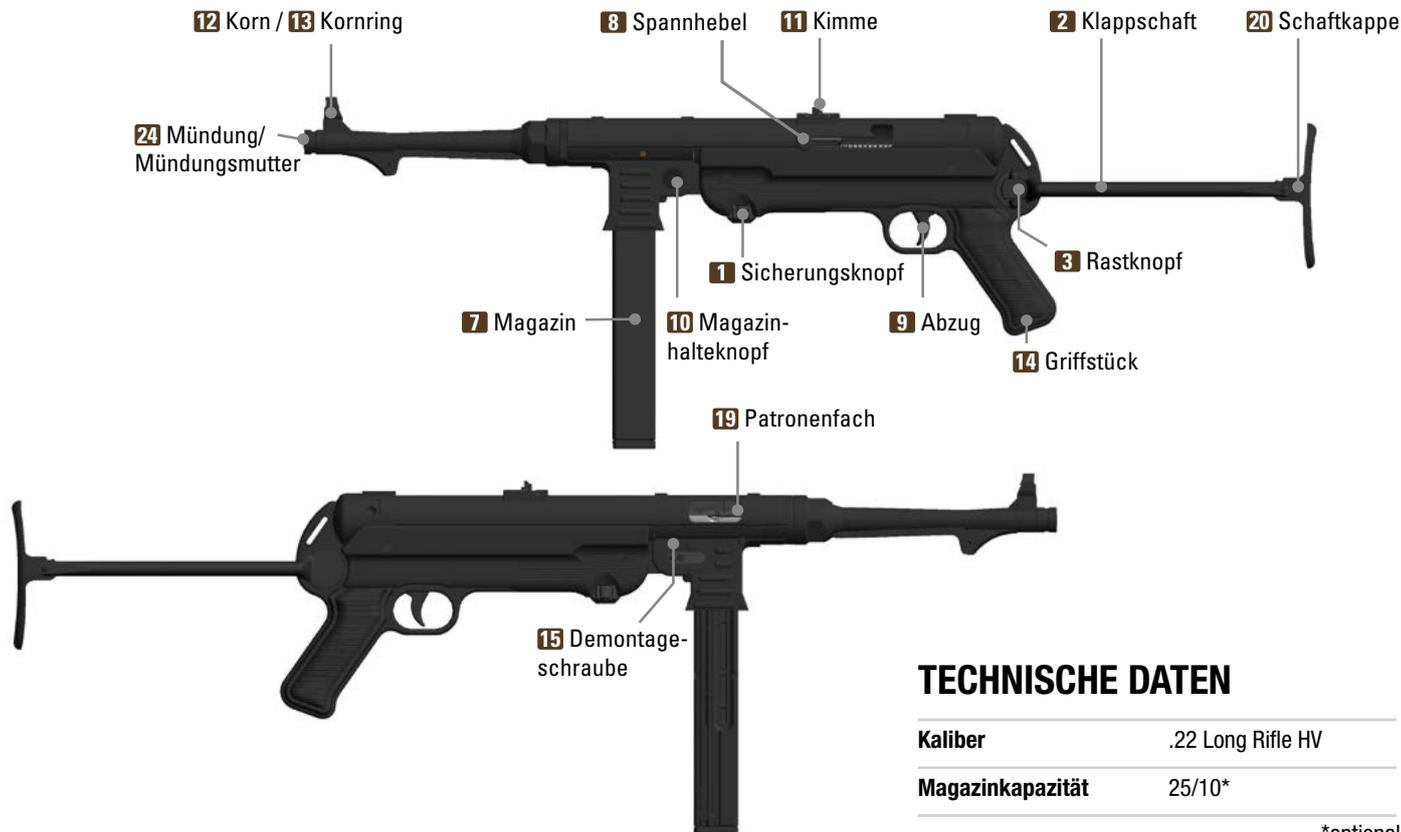
## BENENNUNGEN

EN

DE

FR

ES



## TECHNISCHE DATEN

Kaliber .22 Long Rifle HV

Magazinkapazität 25/10\*

\*optional

# MAUSER MP40 CAL. .22 LR HV



RIMFIRE

## KLAPPSCHAFT



1. Klappen Sie auf die Schaftkappe **20** wie abgebildet nach vorn oben.



2. Drücken Sie auf den Rastknopf **3** und klappen Sie den Klappschaft **2** unter die Waffe.

## SICHERUNG

### **WARNUNG**

FÜHREN SIE DIE WAFFE NIEMALS MIT SICH, WENN SIE GESpanNT UND/ODER GELADEN IST. AM BESTEN IST ES, DIE WAFFE NUR DIREKT VOR DEM SCHIESSEN ZU SPANNEN.

## SICHERUNG



1. Sicherung

Ist das Symbol „S“ von der Seite aus sichtbar, ist die Waffe gesichert. Ist das Symbol „F“ seitlich sichtbar, ist die Waffe feuerbereit.

**Hinweis:** Mit Entfernen des Magazins **7** ist der Abzug blockiert und damit gesichert.

### **WARNUNG**

ZIELEN SIE MIT DER WAFFE NIEMALS AUF GEGENSTÄNDE, DIE SIE NICHT TREFFEN WOLLEN. ZIELEN SIE MIT DER WAFFE NIEMALS AUF MENSCHEN ODER TIERE.

# MAUSER MP40 CAL. .22 LR HV



RIMFIRE

## MAGAZIN LADEN

EN

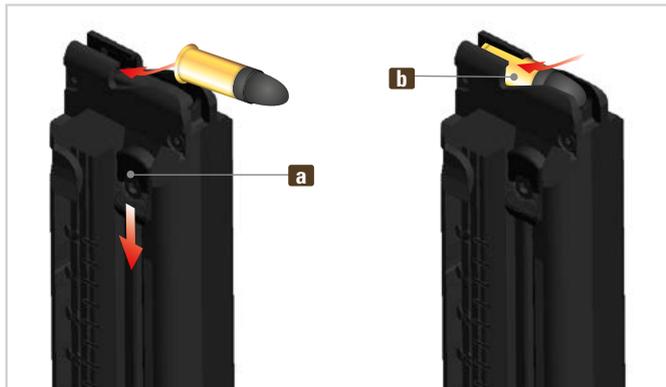
DE

FR

ES

### ! WARNUNG

VERWENDEN SIE FÜR DIE WAFFE NUR HANDELSÜBLICHE, DEM KALIBER DER WAFFE ENTSPRECHENDE MUNITION AUS ORIGINALVERPACKUNGEN. DAS RICHTIGE KALIBER IST AUF DER WAFFE EINGEPRÄGT. VERWENDEN SIE FÜR IHRE WAFFE NUR HANDELSÜBLICHE MUNITION, DIE NACH CIP ODER SAAMI STANDARDS HERGESTELLT WURDE. VERWENDEN SIE NIEMALS NICHT-STANDARDISIERTE, WIEDERAUFBEREITETE ODER HANDGELADENE MUNITION.



1. Zubringerknopf **a** des Magazins **7** nach unten ziehen und die Patrone **b** wie abgebildet bis zum hintereren Anschlag einschieben.

**Hinweis:** Nur so viele Patronen ins Magazin laden, wie tatsächlich verschossen werden sollen (max. 25/10\* Patronen).

## LADEN DER WAFFE

### ! WARNUNG

LASSEN SIE DIE WAFFE IMMER GESICHERT, ENTSPANNT UND UNGELADEN, BIS SIE BEREIT SIND ZUM SCHIESSEN.

### ! WARNUNG

- DER SICHERUNGSKNOPF MUSS SICH IMMER IN STELLUNG „S“ BEFINDEN. LADEN ODER ENTLADEN SIE DIE WAFFE NIEMALS IN EINEM FAHRZEUG ODER AUF SONSTIGEM ENGEN RAUM (AUSGENOMMEN IN EINEM ORDNUNGSGEMÄSSEN SCHIESSSTAND). WISCHEN SIE ÜBERSCHÜSSIGES FETT UND ÖL VOR DEM LADEN STETS AB UND ÜBERPRÜFEN SIE VISUELL, DASS SICH KEINE FREMDKÖRPER IM LAUF BEFINDEN.
- HALTEN SIE DIE MÜNDUNG DER WAFFE IMMER IN EINE **SICHERE RICHTUNG**.
- LEGEN SIE DEN FINGER NICHT AUF DEN ABZUG, SONDERN AUSSERHALB DES ABZUGSBÜGELS. LADEN SIE DIE WAFFE DURCH EINSCHIEBEN DES MAGAZINS ERST UNMITTELBAR VOR DEM SCHIESSEN.
- ZIEHEN SIE DEN SPANNHEBEL NACH HINTEN, UM DIE WAFFE ZU SPANNEN UND LASSEN IHN ANSCHLIESSEND NACH VORNE GLEITEN, UM EINE PATRONE IN DIE KAMMER ZU LADEN. **VERLASSEN SIE SICH NIEMALS AUSSCHLIESSLICH AUF DIE SICHERHEITSMCHANISMEN. SICHERHEITSMCHANISMEN SIND KEIN ERSATZ FÜR EINEN UMSICHTIGEN UND SACHGERECHTEN UMGANG**
- GEBEN SIE EINE GELADENE WAFFE NIEMALS AUS DER HAND.

# MAUSER MP40 CAL. .22 LR HV



RIMFIRE

## SCHIESSEN



1. Setzen Sie das geladene Magazin **7** ein und vergewissern Sie sich, dass es vollständig verrastet ist.



2. Ziehen Sie nun den Spannhebel **8** bis zum Anschlag nach hinten und lassen ihn dann wieder nach vorne gleiten. Die Waffe ist nun geladen und gespannt.

### **WARNUNG**

- BENUTZEN SIE DIE WAFFE NUR DANN, WENN DER KLAPPSCHAFT ARRETIERT (AUSGEKLAPPT) IST.
- ACHTEN SIE BEIM SCHIESSEN DARAUF, DASS SICH IHRE FINGER, HÄNDE ODER ANDERE KÖRPERTEILE NICHT VOR, ÜBER ODER NEBEN DER LAUFMÜNDUNG ODER DEM HÜLSenausWURF BEFINDEN.
- LASSEN SIE PERSONEN ODER ANDERE LEBEWESEN NIE DORT STEHEN, WO SIE VON AUSGEWORFENEN PATRONENHÜLSEN GETROFFEN WERDEN KÖNNTEN.
- TRAGEN SIE BEIM SCHIESSEN IMMER EINEN GEHÖRSCHUTZ UND EINE SCHUTZBRILLE. MACHEN SIE PERSONEN, DIE SICH IN IHRER NÄHE AUFHALTEN, DARAUF AUFMERKSAM, DASS AUCH SIE GEHÖRSCHUTZ UND SCHUTZBRILLE TRAGEN MÜSSEN.
- UNTERBRECHEN SIE DAS SCHIESSEN SOFORT UND ENTLADEN SIE DIE WAFFE, WENN SIE VERMUTEN, DASS EINE PATRONE NICHT RICHTIG ZUGEFÜHRT WURDE, EINE PATRONENHÜLSE VERKLEMMT IST, EIN GESCHOSS DEN LAUF VERSTOPFT HABEN KÖNNTE ODER EIN SCHUSS SICH SCHWACH ODER ABNORMAL ANHÖRT ODER ANFÜHLT.
- SOLLTE SICH IM LAUF EIN BLOCKIERTES GESCHOSS BEFINDEN UND DIESEN VERSTOPFEN, DANN VERSUCHEN SIE NIEMALS, DIESES MITTELS EINER ANDEREN PATRONE HERAUSZUSCHIESSEN.

### **ACHTUNG**

LEGEN SIE WÄHREND DER SCHUSSABGABE DIE FREIE HAND NICHT AN DAS MAGAZIN; DAS KÖNNTE FUNKTIONSTÖRUNGEN VERURSACHEN. HALTEN SIE DIE WAFFE AM HANDSCHUTZ.

# MAUSER MP40 CAL. .22 LR HV



RIMFIRE

## SCHIESSEN



1. Drehen Sie den Sicherungsknopf **1** in die Position „F“. Die Waffe ist nun geladen, entsichert und schussbereit. Zielen Sie auf ein sicheres Ziel und betätigen den Abzug **9**. **Hinweis:** Der Verschluss wird nach dem letzten Schuss in offener Stellung gehalten.

## NACHLADEN - WÄHREND DES SCHIESSENS

### ! WARNUNG

- LASSEN SIE DIE WAFFE STETS AUF EIN SICHERES ZIEL GERICHTET.
- NEHMEN SIE DEN FINGER VOM ABZUG.
- DREHEN SIE DEN SICHERUNGSKNOPF IN DIE POSITION „S“.



- Drücken Sie auf den Magazinhalteknopf **10** und entfernen sie das leere Magazin **7**.
- Setzen Sie das neue, geladene Magazin ein und vergewissern Sie sich, dass es vollständig verrastet ist.
- Ziehen Sie nun den Spannhebel **8** bis zum Anschlag nach hinten und lassen ihn dann wieder nach vorne gleiten
- Das Gewehr ist nun nachgeladen und gespannt.

## ENTLADEN - MAGAZIN NICHT LEER

### ! WARNUNG

GEBEN SIE DIE WAFFE NUR DANN AUS DER HAND, WENN SIE ENTLADEN IST.

### ! WARNUNG

- WENN DIE WAFFE GELADEN IST, BEFINDET SICH EINE PATRONE IM PATRONENLAGER.
- LEGEN SIE NIEMALS IHRE HAND ÜBER DAS PATRONENAUSWURFFENSTER.
- HALTEN SIE DIE MÜNDUNG DER WAFFE IN EINE SICHERE RICHTUNG
- DREHEN SIE DEN SICHERUNGSKNOPF IN DIE POSITION „S“.



1. Sichern Sie die Waffe und drücken Sie auf den Magazinhalteknopf **10**, um das Magazin **7** herauszunehmen.

EN

DE

FR

ES

# MAUSER MP40 CAL. .22 LR HV



RIMFIRE



2. Ziehen Sie den Spannhebel **8** bis zum Anschlag zurück. Dabei wird die Patrone ausgeworfen. Überprüfen Sie (sowohl visuell als auch manuell mit entsprechenden Hilfsmitteln), dass die Patrone tatsächlich ausgeworfen wurde und das Patronenlager leer ist. Lassen Sie den Spannhebel wieder nach vorne gleiten.

## **WARNUNG**

DIE WAFFE IST NUN ENTLADEN, ABER NICHT ENTSPANNT



3. Leeren Sie das Magazin. Heben Sie die ausgeworfenen Patronen auf und reinigen Sie die Waffe

## ENTLADEN - MAGAZIN LEER



1. Sichern Sie die Waffe und drücken Sie auf den Magazinhalteknopf **10**, um das Magazin **7** herauszunehmen. Der Hülsenauswurf muss nach der letzten Patrone offen sein. Überprüfen Sie (sowohl visuell als auch manuell mit entsprechenden Hilfsmitteln), dass die Patrone tatsächlich ausgeworfen wurde und das Patronenlager leer ist.

## **WARNUNG**

DIE WAFFE IST NUN ENTLADEN, ABER NICHT ENTSPANNT

# MAUSER MP40 CAL. .22 LR HV



## ENTSPANNEN

EN

DE

FR

ES

### ⚠️ WARNUNG

VERGEWISSERN SIE SICH, DASS SICH KEINE PATRONE MEHR IM LAUF BZW. IM PATRONENLAGER BEFINDET.

#### Entspannen:

1. Entnehmen Sie das leere Magazin.
1. Setzen Sie den Ladestandsanzeiger in das Patronenfach ein.
3. Ziehen Sie nun den Spannhebel zurück und lassen ihn dann wieder nach vorne gleiten. Der Verschluss muss dabei auch wieder nach vorne schnellen, sodass sich der Hülsenauswurf schließt.
4. Setzen Sie ein **leeres** Magazin ein.
5. Halten Sie die Waffe in eine sichere Richtung und betätigen Sie den Abzug.

### ⚠️ ACHTUNG

BETÄTIGEN SIE DEN ABZUG NUR DANN, WENN EIN LEERES MAGAZIN EINGELEGT IST UND SICH KEINE PATRONE MEHR IM PATRONENLAGER BEFINDET.

6. Der Schlaghebel schnellte nach vorne, die Waffe ist nun entspannt.
7. Drehen Sie den Sicherungsknopf wieder in die Position „S“ und entnehmen das leere Magazin.

### ⚠️ WARNUNG

WENN SIE DEN SPANNHEBEL NACH DIESEM VORGANG ZURÜCKZIEHEN, WIRD DIESER WIEDER GESpanNT!



## VISIERUNG

### ⚠️ WARNUNG

ZIELEN SIE MIT DER WAFFE NIEMALS AUF GEGENSTÄNDE, DIE SIE NICHT TREFFEN WOLLEN. ZIELEN SIE MIT DER WAFFE NIEMALS AUF MENSCHEN ODER TIERE.



1. Zielen

# MAUSER MP40 CAL. .22 LR HV



RIMFIRE

## VISIEREINSTELLUNG

### **WARNUNG**

DREHEN SIE DEN SICHERUNGSKNOPF IMMER IN DIE POSITION „S“ UND HALTEN SIE DIE MÜNDUNG DER WAFFE IN EINE SICHERE RICHTUNG BEI JEDER JUSTIERUNG.



### 1. Schnellverstellung Kimme:

Klappen Sie das Kimmenblatt **c** nach oben, um höher zu treffen.

Klappen Sie das Kimmenblatt **c** nach unten, um tiefer zu treffen.



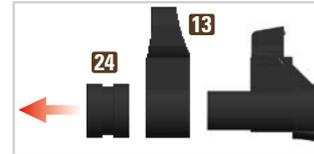
### 2. Seitenverstellung:

Lösen Sie die Schraube **d**.

**Bei Rechtsschuss:** Schieben Sie die Kimme **11** nach links.

**Bei Linksschuss:** Schieben Sie die Kimme **11** nach rechts.

Fixieren Sie die Kimme mit der Schraube **d**.



### 3. Höhenverstellung Korn:

Schrauben Sie die Mündungskappe ab und nehmen den Kornring nach vorn ab.

Schieben Sie nun das Korn zur Seite weg und ersetzen es durch ein kürzeres oder ein längeres. Im Lieferumfang sind vier zusätzliche Kornlängen enthalten. Das mittlere Korn (3 Punkte) ist vormontiert. Bei Hochschuss verwenden Sie ein längeres Korn **12**. Bei Tiefschuss verwenden Sie ein kürzeres Korn **12**.



Schieben Sie den Kornring **13** über das Korn und fixieren ihn mit der Mündungskappe **24**.

# MAUSER MP40 CAL. .22 LR HV



RIMFIRE

## WARTUNG - DEMONTAGE FÜR DIE REINIGUNG

EN

DE

FR

ES

### **WARNUNG**

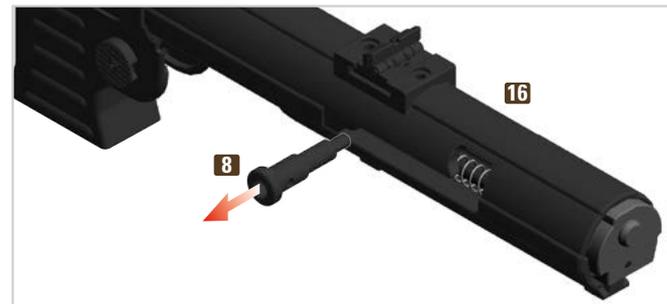
- DREHEN SIE DEN SICHERUNGSKNOFF IN DIE GESICHERTE POSITION "S".
- HALTEN SIE DIE WAFFE IN EINE SICHERE RICHTUNG.
- NEHMEN SIE DEN FINGER VOM ABZUG.
- VERGEWISSERN SIE SICH, DASS DAS PATRONENLAGER LEER IST.
- PRÜFEN SIE, OB DIE WAFFE ENTLADEN UND ENTSPANNT IST.



1. Entfernen Sie die Demontageschraube **15**.



2. Ziehen Sie das Griffstück **14** leicht zurück und nehmen es dann nach oben ab.



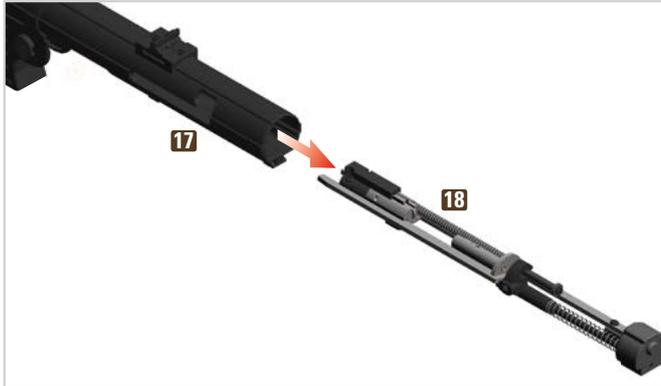
3. Schrauben Sie den Spannhebel **8** aus dem System **16**.

# MAUSER MP40 CAL. .22 LR HV



RIMFIRE

## WARTUNG - DEMONTAGE FÜR DIE REINIGUNG



4. Entnehmen Sie den Verschluss **18** aus dem Verschlussgehäuse **17**.

## ABZUGSEINSTELLUNG

**Hinweis:** Verwenden Sie zum Justieren des Abzugs einen Sechskantschlüssel SW 2.



Beim Spannen rastet die Fangklinke in das Raststück ein. Durch Drehen der Schraube kann der Rastübertritt, der maßgeblich ist für das Abzugskriechen, justiert werden.

Rastübertritt verringern: Drehen Sie die Rastschraube **e** im Uhrzeigersinn.  
Rastübertritt vergrößern: Drehen Sie die Rastschraube **e** gegen den Uhrzeigersinn

**Hinweis:** Die Rastschraube ist werkseitig vollständig eingeschraubt.

# MAUSER MP40 CAL. .22 LR HV



RIMFIRE

## WARTUNG - REINIGUNG

EN

DE

FR

ES

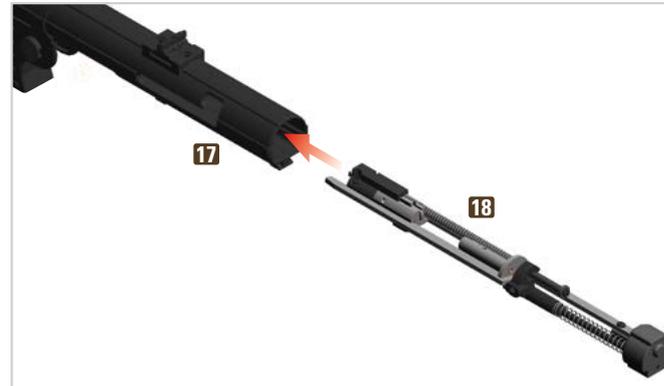
### ACHTUNG

- BITTE ZERLEGEN SIE DIE WAFFE AUF KEINEN FALL WEITER. DIE REINIGUNG KANN OHNE WEITERE ZERLEGUNG DURCHFÜHRT WERDEN. EINE WEITERE ZERLEGUNG DES GEWEHRS SOLLTE NUR VON QUALIFIZIERTEM PERSONAL DURCHFÜHRT WERDEN. BEI WEITERER ZERLEGUNG DER WAFFE VON NICHT AUTORISIERTEM FACHPERSONAL ERLISCHT DIE GARANTIE.
- BENUTZEN SIE KEINE STAHLBÜRSTE ODER ANDERE HARTE ODER SCHARFE MITTEL, UM DEN LAUF ODER ANDERE METALLTEILE ZU REINIGEN; DIESE KÖNNTEN DIE INNENFLÄCHE DES LAUFES BESCHÄDIGEN. BENUTZEN SIE NUR GEEIGNETE REINIGUNGSSTÄBE UND BÜRSTEN DES RICHTIGEN KALIBERS.
- LÖSUNGSMITTEL KÖNNTEN DIE OBERFLÄCHE DES GEWEHRS BESCHÄDIGEN. BEACHTEN SIE BITTE UNBEDINGT DIE HINWEISE DES HERSTELLERS, BEVOR SIE REINIGER ODER LÖSUNGSMITTEL EINSETZEN.

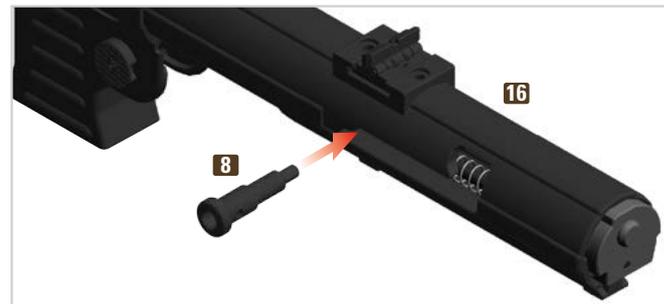
### Vorgehensweise:

Benetzen Sie eine geeignete Reinigungsbürste mit Waffenöl und führen Sie diese über das Patronenlager in den Lauf ein. Entfernen Sie mit der Bürste sehr sorgfältig alle Pulverrückstände und Schmutz aus dem Lauf und dem Patronenlager. Wischen Sie Pulverrückstände und Öl von der Laufbohrung sowie vom Patronenlager mit Reinigungstüchern ab. Ölen Sie das Patronenlager und das Laufinnere leicht.

## WARTUNG - MONTAGE



5. Schieben Sie den Verschluss **18** wieder wie abgebildet in das Verschlussgehäuse **17**.



6. Schrauben Sie den Spannhebel **8** in das System **16**.

# MAUSER MP40 CAL. .22 LR HV



RIMFIRE

## WARTUNG - MONTAGE



7. Setzen Sie das Griffstück **14** auf das System **16** und schieben es nach vorn.



8. Fixieren Sie das Griffstück mit der Demontageschraube **15**.

## PFLEGE

### **ACHTUNG**

- ACHTEN SIE DARAUF, DASS SICH DIE WAFFE IMMER IN EINWAND-FREIEM ZUSTAND BEFINDET UND VOLL FUNKTIONSFÄHIG IST.
- REINIGEN SIE DIE WAFFE STETS NACH GEBRAUCH.
- VERÄNDERN ODER REPARIEREN SIE NIE SELBST TEILE DER WAFFE.
- LASSEN SIE DIE WAFFE ALLE 12 MONATE VON EINEM QUALIFIZIERTEN BÜCHSENMACHER ÜBERPRÜFEN, DENN DEFEKTE, ABNUTZUNG, KORROSION USW. SIND NICHT IMMER VON AUSSEN SICHTBAR.
- FÜR REPARATUREN UND WARTUNGSARBEITEN EMPFEHLEN WIR JEDOCH, DASS SIE DIE WAFFE AN IHREN HÄNDLER ZURÜCKSCHICKEN; DIESER HAT STETS EIN KOMPLETTES ERSATZTEILSORTIMENT AUF LAGER.

# MAUSER MP40 CAL. .22 LR HV



RIMFIRE

## FEHLERBEHEBUNG

EN

DE

FR

ES

### ⚠ ACHTUNG

EINE WARTUNG DER WAFFE (REINIGUNG UND INSPEKTION) GEMÄSS DEN GEGEBENEN ANWEISUNGEN KANN FUNKTIONSSTÖRUNGEN VORBEUGEN. SOLLTE WÄHREND DES SCHIESSENS DENNOCH EINE FUNKTIONSSTÖRUNG AUFTRETEN, GEHEN SIE WIE FOLGT VOR:

### ⚠ WARNUNG

- DREHEN SIE DEN SICHERUNGSKNOPF AUF DIE GESICHERTE POSITION "S".
- HALTEN SIE DIE WAFFE IN EINE SICHERE RICHTUNG UND HALTEN SIE IHRE FINGER VOM ABZUG FERN, WÄHREND SIE DIE NACHSTEHEND BESCHRIEBENEN SCHRITTE AUSFÜHREN.



1. Drücken Sie auf den Magazinhalteknopf **10**, um das Magazin **7** herauszunehmen.



2. Ziehen Sie den Spannhebel **8** bis zum Anschlag zurück. Dabei wird die Patrone ausgeworfen.
3. Entfernen Sie alle Patronen, Patronenhülsen sowie Fremdkörper.
4. Überprüfen Sie (sowohl visuell als auch manuell mit entsprechenden Hilfsmitteln), dass die Patrone tatsächlich ausgeworfen wurde und das Patronenlager leer ist. Lassen Sie den Spannhebel wieder nach vorne gleiten.
5. Wenn ein Projektil in der Bohrung festsetzt, zerlegen Sie das Gewehr und lassen Sie die Blockierung durch einen qualifizierten Büchsenmacher mit einem geeigneten Werkzeug entfernen.
6. Reinigen und schmieren Sie das Gewehr und setzen Sie es zusammen.
7. Lassen Sie die Waffe von einem Büchsenmacher oder Waffenmechaniker prüfen.

# MAUSER MP40 CAL. .22 LR HV



## LAGERUNG, SICHERE AUFBEWAHRUNG UND TRANSPORT

### LAGERUNG

#### **WARNUNG**

- BEWAHREN SIE IHRE WAFFE STETS UNGELADEN UND IN GEREINIGTEM ZUSTAND AUF.
- LAGERN SIE DIE WAFFE STETS GETRENNT VON IHRER MUNITION UND UNTER VERSCHLUSS.
- DIE WAFFE UND DIE MUNITION DÜRFEN NICHT FÜR KINDER ODER UNERFAHRENE ODER UNBEFUGTE PERSONEN ZUGÄNGLICH SEIN.
- VERGEWISSERN SIE SICH, DASS SIE ALLE ANWENDBAREN GESETZE ÜBER DIE LAGERUNG VON SCHUSSWAFFEN EINHALTEN.

### TRANSPORT

#### **WARNUNG**

- TRANSPORTIEREN SIE DIE WAFFE ZU IHRER EIGENEN SICHERHEIT UND ZUR SICHERHEIT ANDERER STETS ENTLADEN UND ENTSPANNT.
- FÜHREN SIE NIE EINE WAFFE MIT SICH, DIE BEREITS GESPANNT WURDE UND EINE PATRONE IM PATRONENLAGER ENTHÄLT.
- TRANSPORTIEREN SIE DIE WAFFE GETRENNT VON DER MUNITION.
- VERGEWISSERN SIE SICH, DASS SIE ALLE ANWENDBAREN GESETZE ÜBER DEN TRANSPORT VON SCHUSSWAFFEN EINHALTEN.

### GEWÄHRLEISTUNG

Im Gewährleistungsfall wenden Sie sich bitte an Ihren Fachhändler. Beschreiben Sie ihm das Problem und fügen Sie den entsprechenden Kaufbeleg bei.

### ENTSORGUNG

Halten Sie sich genau an die jeweils geltenden nationalen Gesetzesvorschriften über die ordnungsgemäße Entsorgung von Schusswaffen.

### ZUBEHÖR

Passendes Zubehör finden Sie über die Internetseite [www.germansportguns.de](http://www.germansportguns.de)

Notwendige Angaben für die Bestellung von Zubehör:

- Waffenmodell (Kaliber, Bezeichnung)
- Waffen-Seriennummer
- Artikel- und Teilenummer (zu finden unter [www.germansportguns.de](http://www.germansportguns.de))

Die in dieser Bedienungsanleitung enthaltenen Informationen können ohne Ankündigung geändert werden. Eine jeweils aktuelle Version der Bedienungsanleitung finden Sie zum Download auf unserer Internetseite [www.germansportguns.de](http://www.germansportguns.de). Dort erfahren Sie auch noch mehr Wissenswertes über GSG und Ihr Modell.

# MAUSER MP40 CAL. .22 LR HV



RIMFIRE

## INTRODUCTION

EN

DE

FR

ES

Description	Page
Consignes de sécurité	34-35
Désignation des composants/Données technique	36
Montage de la crosse	37
Sûretés	37
Chargement	38-39
Tirer	39-40
Rechargement pendant le tir	40
Dechargement de l'arme (magasin non vide)	40-41
Dechargement de l'arme (magasin vide)	41
Désarmement de l'arme	42
Système de visée/ Réglage du système de visée	42-43
Entretien - démontage pour le nettoyage	44-45
Réglage de la détente	45
Entretien - nettoyage	46
Entretien - remontage après le nettoyage	46-47
Entretien	47
Dépannage - jam removal	48
Stockage, rangement et transport en toute sécurité	49
Garantie	49
Mise au rebut/élimination	49

### **AVERTISSEMENT**

CE PRODUIT PEUT VOUS EXPOSER À DES PRODUITS CHIMIQUES, DONT LE PLOMB, QUI EST CONNU DANS L'ÉTAT DE CALIFORNIE POUR PROVOQUER DES CANCERS ET DES ANOMALIES CONGÉNITALES OU D'AUTRES TROUBLES DU SYSTÈME REPRODUCTIF. POUR PLUS D'INFORMATIONS, VEUILLEZ CONSULTER LES INFORMATIONS CI-APRÈS [WWW.P65WARNINGS.CA.GOV](http://WWW.P65WARNINGS.CA.GOV).

## **CONSIGNES DE SÉCURITÉ**

### **AVERTISSEMENT**

LE NON-RESPECT DES CONSIGNES ET RECOMMANDATIONS INSCRITES DANS CETTE NOTICE PEUT ENTRAÎNER DES BLESSURES CORPORELLES GRAVES (TELLES QUE DES BLESSURES AU VISAGE, AUX YEUX, AUX OREILLES, LA CÉCITÉ, LA SURDITÉ), VOIRE LA MORT.

- N'utilisez jamais l'arme sous l'influence de l'alcool ou de drogues, si vous êtes malade ou souffrez d'autres troubles ; ceci peut porter atteinte à votre faculté de jugement et à vos réflexes.
- Avant d'utiliser l'arme, assurez-vous d'avoir bien compris toutes ses fonctions et d'être pleinement conscient des dangers qui pourraient en résulter dans le cas contraire.
- Considérez l'arme toujours comme chargée et prête à tirer (sûreté déchargée) jusqu'à ce que vous vous soyez convaincu du contraire.
- Veillez à toujours pointer la bouche de l'arme dans une direction sûre lorsque vous la manipulez. Est considérée comme une direction sûre une zone dans laquelle ne se trouve(nt) aucun être humain (y compris vous-même), aucun animal et aucun objet sur lequel vous n'avez pas l'intention de tirer.
- Ne dirigez jamais le pistolet vers des portes, des vitres, des murs, du béton, des pierres ou des surfaces planes (l'eau compris). Un projectile peut perforer ces éléments ou être dévié dans une direction peu sûre.
- Ne vous fiez jamais aux mécanismes de sécurité et manipulez toujours votre arme comme si les mécanismes de sécurité ne fonctionnaient pas. Les mécanismes de sécurité ne remplacent pas une manipulation prudente et correcte de l'arme.
- Ne tirez jamais avec un pistolet dans lequel de l'eau, du sable, des impuretés ou d'autres corps étrangers ont pénétré.
- Ne rangez jamais une arme chargée. Déchargez toujours l'arme directement

# MAUSER MP40 CAL. .22 LR HV



RIMFIRE

## **CONSIGNES DE SÉCURITÉ**

- après le tir, avant de déposer l'arme, de la mettre dans son étui ou de la remettre à une autre personne habilitée.
- Ne conservez jamais l'arme chargée, mais enlevez le magasin et vérifiez qu'aucune cartouche ne se trouve dans la chambre du canon.
  - Ne laissez jamais l'arme entre les mains d'une personne qui n'est pas dûment familiarisée avec les consignes de sécurité et avec le maniement de l'arme par la lecture de ce mode d'emploi.
  - Ne laissez jamais l'arme sans surveillance et protégez-la contre tout accès par des personnes non autorisées.
  - Conservez toujours l'arme et la munition séparément et vérifiez que ni l'un ni l'autre ne peuvent parvenir entre les mains de personnes non habilitées ou d'enfants.
  - Ne placez pas le doigt sur la détente, sauf lors du tir.
  - Veillez à toujours utiliser un pare-balles adapté à la cible ; ne tirez jamais vers le ciel.
  - Vérifiez que vous-même et toutes les personnes près de vous portent une protection des oreilles (casque de tir) et des yeux (lunettes de tir).
  - Lors des séances de tir dans des stands de tir fermés, veillez à une ventilation suffisante.
  - N'essayez jamais de traverser un obstacle, un fleuve, une clôture ou quelque chose de similaire avec une arme chargée.
  - Tenez vos doigts éloignés des pièces mobiles, telles que la partie exposée de la culasse dans l'ouverture d'éjection, la poignée de chargement et la bouche de l'arme.
  - Utilisez pour votre arme uniquement des munitions usuelles du commerce fabriquées en conformité avec les prescriptions des organisations de normalisation C.I.P. ou SAAMI. N'utilisez jamais de munitions non-standardisées, reconditionnées/rechargées ou chargées à la main.
- N'utilisez pas de munitions déformées de quelque façon que ce soit ou déformées lors d'un dysfonctionnement de l'arme.
  - Si vous remarquez un dysfonctionnement quelconque (p.ex. un défaut d'extraction, un défaut d'alimentation, un défaut d'éjection ou un coincement de douille), cessez le tir et déchargez le pistolet.
  - Au cas où un projectile ne sortirait pas du canon, en raison d'une cartouche non chargée ou insuffisamment chargée, vous le remarqueriez par un recul absent ou exceptionnellement faible et/ou par une flamme absente ou faible à la sortie de la bouche du canon. Dans chacun de ces cas, cessez immédiatement le tir jusqu'à ce que l'arme ait été examinée et le canon libéré du projectile coincé par un armurier professionnel. N'essayez jamais de dégager une balle coincée en tirant un autre coup de canon !
  - En cas d'un défaut de mise à feu, attendez au moins une minute en continuant à pointer l'arme prête à tirer sur votre cible ou dans une direction sûre avant de procéder au déchargement de l'arme.



## **AVERTISSEMENT**

UNE PROTECTION DES YEUX ET UNE PROTECTION DES OREILLES EST NÉCESSAIRE ! PORTEZ DES LUNETTES DE SÉCURITÉ APPROPRIÉES (LUNETTES DE TIR) ET UNE PROTECTION DES OREILLES !



# MAUSER MP40 CAL. .22 LR HV



RIMFIRE

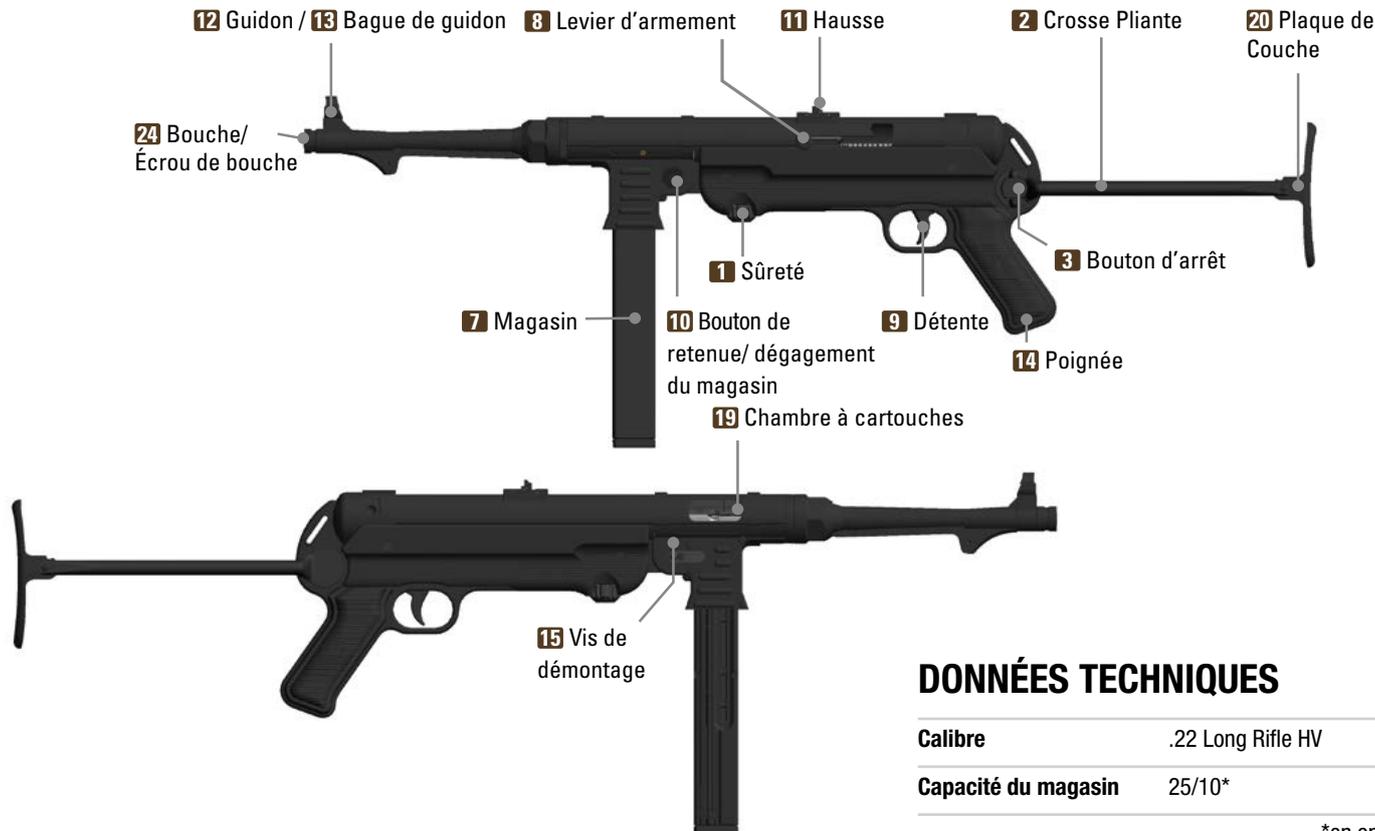
## DÉSIGNATION DES COMPOSANTS

EN

DE

FR

ES



## DONNÉES TECHNIQUES

Calibre	.22 Long Rifle HV
Capacité du magasin	25/10*

\*en option

# MAUSER MP40 CAL. .22 LR HV



RIMFIRE

## CROSSE PLIANTE



1. Rabattez la plaque de couche **20** vers le haut et vers l'avant, comme le montre l'illustration.



2. Appuyez sur le bouton d'arrêt **3** et rabattez la crosse pliante **2** sous l'arme.

## SÛRETÉS

### AVERTISSEMENT

NE TRANSPORTEZ JAMAIS L'ARME LORSQU'ELLE EST ARMÉE ET/OU CHARGÉE. L'IDÉAL SERAIT DE L'ARMER ET DE LA CHARGER JUSTE AVANT LE TIR.

## SÛRETÉS



1. Sûreté

Si le symbole « S » est visible depuis le côté, la sûreté est enclenchée. Si le symbole « F » est visible sur le côté, l'arme est prête au tir.

**Remarque :** Lorsque le magasin **7** est retiré, la détente est bloquée et donc sécurisée.

### AVERTISSEMENT

NE VISEZ JAMAIS DES OBJETS SUR LESQUELS VOUS N'AVEZ PAS L'INTENTION DE TIRER. NE VISEZ JAMAIS AVEC L'ARME SUR DES PERSONNES OU DES ANIMAUX.

# MAUSER MP40 CAL. .22 LR HV

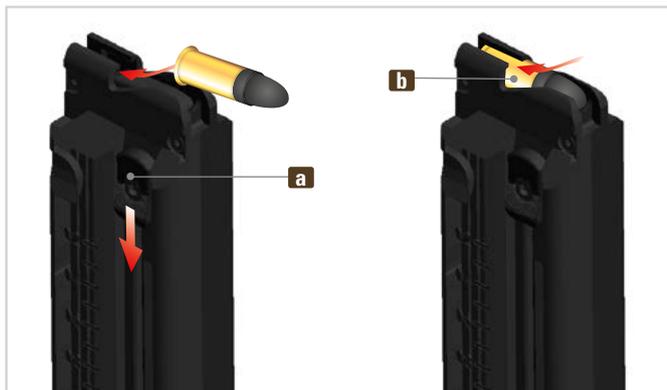


RIMFIRE

## CHARGEMENT DU MAGASIN

### ⚠ AVERTISSEMENT

UTILISEZ POUR VOTRE ARME UNIQUEMENT DES MUNITIONS USUELLES DU COMMERCE ASSORTIES AU CALIBRE DE L'ARME ET FOURNIES DANS LEURS EMBALLAGES ORIGINAUX. LA SPÉCIFICATION DU CALIBRE EST MARQUÉE SUR L'ARME. UTILISEZ POUR VOTRE ARME UNIQUEMENT DES MUNITIONS USUELLES DU COMMERCE FABRIQUÉES EN CONFORMITÉ AVEC LES PRESCRIPTIONS DES ORGANISATIONS DE NORMALISATION C.I.P. OU SAAMI. N'UTILISEZ JAMAIS DE MUNITIONS NON-STANDARDISÉES, RECONDITIONNÉES/RECHARGÉES OU CHARGÉES À LA MAIN.



1. Tirez le bouton d'alimentation du magasin **a** vers le bas et insérez la cartouche **b** (comme montré dans la figure) jusqu'à la butée arrière.

**Remarque :** Ne chargez dans le magasin que le nombre de cartouches que vous avez l'intention de tirer (max. 25/10\* cartouches).

## CHARGEMENT DE L'ARME

### ⚠ AVERTISSEMENT

PRENEZ L'HABITUDE DE TOUJOURS LAISSER L'ARME SÉCURISÉE (SÛRETÉ ENCLENCHÉE), DÉARMÉE ET SÉCURISÉE JUSQU'À CE QUE VOUS SOYEZ PRÊT À TIRER.

### ⚠ AVERTISSEMENT

- LA SÛRETÉ DOIT TOUJOURS ÊTRE DANS LA POSITION « S ». (SÛRETÉ ENCLENCHÉE). VEILLEZ À NI CHARGER NI DÉCHARGER L'ARME À L'INTÉRIEUR D'UN VÉHICULE OU DANS UN AUTRE ESPACE RESTREINT (SAUF DANS UN STAND DE TIR CONÇU À CET EFFET). AVANT LE CHARGEMENT, ESSUYEZ TOUJOURS L'EXCÈS DE GRAISSE ET D'HUILE ET VÉRIFIEZ VISUELLEMENT L'ABSENCE DE CORPS ÉTRANGERS DANS LE CANON.
- POINTEZ LA BOUCHE DE L'ARME DANS UNE **DIRECTION SÛRE**.
- NE METTEZ PAS LE DOIGT SUR LA DÉTENTE, MAIS MAINTENEZ-LE EN DEHORS DU PONTET. CHARGEZ L'ARME EN INSÉRANT LE MAGASIN JUSTE AVANT LE TIR.
- TIREZ LE LEVIER D'ARMEMENT VERS L'ARRIÈRE POUR CHARGER LA PREMIÈRE CARTOUCHE. **NE VOUS FIEZ JAMAIS AUX MÉCANISMES DE SÉCURITÉ. LES MÉCANISMES DE SÉCURITÉ NE REMPLACENT PAS UNE MANIPULATION PRUDENTE ET CORRECTE DE L'ARME.**
- GARDEZ TOUJOURS L'ARME À LA MAIN TANT QU'ELLE N'EST PAS DÉCHARGÉE.

EN

DE

FR

ES

# MAUSER MP40 CAL. .22 LR HV



RIMFIRE



1. Insérez le magasin chargé **7** et vérifiez qu'il est complètement enclenché.



2. Tirez le levier d'armement **8** vers l'arrière jusqu'à la butée, puis faites-le reglisser en avant.  
L'arme est alors chargée et armée.

## TIRER

### **AVERTISSEMENT**

- N'UTILISEZ L'ARME QUE LORSQUE LA CROSSE PLIANTE EST BLOQUÉE (DÉPLIÉE).
- LORS DU TIR, VEILLES À CE QUE VOS DOIGTS, VOS MAINS OU D'AUTRES PARTIES DU CORPS NE SE TROUVENT PAS DEVANT, AU-DESSUS OU À CÔTÉ DE LA BOUCHE DU CANON OU DE LA FENÊTRE D'ÉJECTION DES DOUILLES.
- NE PERMETTEZ JAMAIS À DES PERSONNES OU À D'AUTRES CRÉATURES VIVANTES D'ÊTRE PRÉSENTES DANS UN ENDROIT OÙ ELLES RISQUERAIENT D'ÊTRE TOUCHÉES PAR LES DOUILLES DE CARTOUCHES ÉJECTÉES.
- LORS DU TIR, PORTEZ TOUJOURS UNE PROTECTION DES OREILLES (CASQUE DE TIR) ET DES YEUX (LUNETTES DE TIR). INDIQUEZ AUX PERSONNES QUI SE TROUVENT PRÈS DE VOUS QU'ELLES DOIVENT ÉGALEMENT PORTER UNE PROTECTION DES OREILLES (CASQUE DE TIR) ET DES YEUX (LUNETTES DE TIR).
- INTERROMPEZ LE TIR IMMÉDIATEMENT ET DÉCHARGEZ L'ARME LORSQUE VOUS SUPPOSEZ QU'UNE CARTOUCHE N'A PAS ÉTÉ CORRECTEMENT ACHÉMINÉE, QU'UNE DOUILLE EST COINCÉE, QU'UN PROJECTILE POURRAIT AVOIR OBTURÉ LE CANON OU QU'UN TIR EST ENTENDU OU PERÇU COMME ÉTANT FAIBLE OU ANORMAL.
- AU CAS OÙ UN PROJECTILE BLOQUÉ OBTURERAIT LE CANON, N'ESSEYEZ JAMAIS DE LE SORTIR EN TIRANT UNE AUTRE CARTOUCHE.

### **ATTENTION**

NE POSEZ PAS LA MAIN LIBRE SUR LE MAGASIN, CAR CELA POURRAIT ENTRAÎNER DES DYSFONCTIONNEMENTS. TENEZ L'ARME PAR LE GARDE-MAIN.

# MAUSER MP40 CAL. .22 LR HV



MAGASIN  
NON VIDE

RIMFIRE

## TIRER



1. Tournez la sûreté **1** dans la position « F » (sûreté dégagée). L'arme est maintenant prête à tirer. Visez dans une direction sûre et actionnez la détente **9**. **Remarque:** Après le dernier coup, la culasse et retenue en position ouverte.

## RECHARGMENT PENDANT LE TIR

### ! WARNING

- VEILLEZ À TOUJOURS MAINTENIR L'ARME POINTÉE DANS UNE DIRECTION SÛRE.
- ENLEVEZ LE DOIGT DE LA DÉTENTE.
- TOURNEZ LA SÛRETÉ DANS LA POSITION « S ».



- Appuyez sur le bouton de retenue/dégagement du magasin **10** et enlevez le magasin **7**.
- Insérez le magasin chargé et vérifiez qu'il est complètement enclenché.
- Tirez le levier d'armement **8** vers l'arrière, puis faites-le glisser en avant.
- L'arme est maintenant rechargée et armée.

## DÉCHARGEMENT DE L'ARME

### ! AVERTISSEMENT

GARDEZ TOUJOURS L'ARME À LA MAIN TANT QU'ELLE N'EST PAS DÉCHARGÉE.

### ! AVERTISSEMENT

- LORSQU'E L'ARME EST CHARGÉE, UNE CARTOUCHE SE TROUVE DANS LA CHAMBRE.
- NE PLACEZ JAMAIS VOTRE MAIN AU-DESSUS DE LA FENÊTRE D'ÉJECTION DES CARTOUCHES.
- POINTEZ LA BOUCHE DE L'ARME DANS UNE DIRECTION SÛRE.
- TOURNEZ LA SÛRETÉ DANS LA POSITION « S ».  
(SÛRETÉ ENCLANCHÉE).



1. Mettez le levier de sûreté **1** dans la position « S » et appuyez sur le bouton de retenue/dégagement du magasin **10** et enlevez le magasin **7**.

EN

DE

FR

ES

# MAUSER MP40 CAL. .22 LR HV



MAGASIN  
VIDE RIFLE



2. Tirez le levier d'armement **8** vers l'arrière jusqu'à la butée, la cartouche est alors éjectée. Vérifiez (visuellement et manuellement avec des moyens auxiliaires adaptés) que la cartouche a été éjectée et qu'aucune cartouche ne se trouve plus dans la chambre. Faites glisser le levier d'armement en avant.

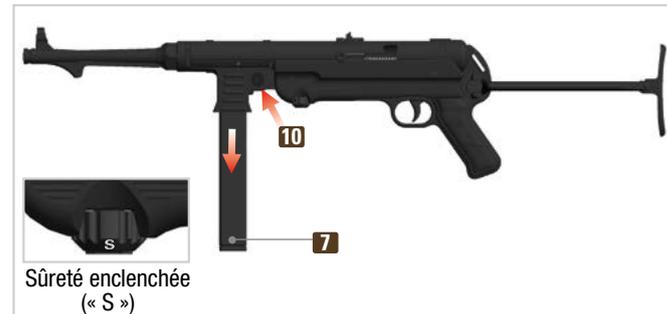
## AVERTISSEMENT

L'ARME EST MAINTENANT DÉCHARGÉE, MAIS PAS DÉSARMÉE.



3. Videz le magasin. Ramassez la cartouche éjectée et nettoyez l'arme.

## DÉCHARGEMENT DE L'ARME



1. Enclenchez la sûreté de l'arme et appuyez sur le bouton de retenue/dégagement du magasin **10**, pour enlever le magasin **7**. Après la dernière cartouche, la fenêtre d'éjection des douilles doit être en position ouverte. Vérifiez (visuellement et manuellement avec des moyens auxiliaires adaptés) que la cartouche a été éjectée et que la chambre à cartouches est vide.

## AVERTISSEMENT

L'ARME EST MAINTENANT DÉCHARGÉE, MAIS PAS DÉSARMÉE.

# MAUSER MP40 CAL. .22 LR HV



RIMFIRE

## DÉSARMEMENT DE L'ARME

### ⚠ AVERTISSEMENT

VÉRIFIEZ QU'AUUCUNE CARTOUCHE NE SE TROUVE PLUS DANS LE CANON OU DANS LA CHAMBRE À CARTOUCHES.

#### Désarmer :

1. Enlevez le magasin vide.
2. Insérez l'indicateur de chargement dans le compartiment de la cartouche.
3. Tirez le levier d'armement vers l'arrière, puis faites-le reglisser en avant. La culasse doit « bondir » simultanément vers l'avant de façon à ce que la fenêtre d'éjection des douilles se ferme.
4. Insérez un magasin **vide**.
5. Mettez le levier de sûreté dans la position « F » (arme prête au tir), pointez l'arme dans une direction sûre et actionnez la détente.

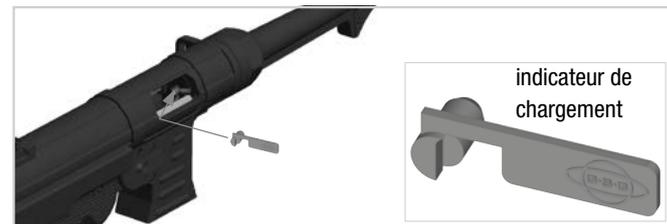
### ⚠ ATTENTION

ACTIONNEZ LA DÉTENTE UNIQUEMENT LORSQU'UN MAGASIN VIDE EST INSÉRÉ ET QU'AUUCUNE CARTOUCHE NE SE TROUVE PLUS DANS LA CHAMBRE À CARTOUCHES.

6. Le percuteur saute vers l'avant, l'arme passe alors à l'état désarmé.
7. Tournez à nouveau la sûreté dans la position « S ». (sûreté enclenchée) et enlevez le magasin vide.

### ⚠ AVERTISSEMENT

SI, APRÈS CETTE PROCÉDURE, VOUS TIREZ DE NOUVEAU LE LEVIER D'ARMEMENT VERS L'ARRIÈRE, VOUS RÉARMEZ L'ARME, CE QUI SIGNIFIE QUE L'ARME EST DE NOUVEAU PRÊTE AU TIR !



## SYSTÈME DE VISÉE

### ⚠ AVERTISSEMENT

NE VISEZ JAMAIS DES OBJETS SUR LESQUELS VOUS N'AVEZ PAS L'INTENTION DE TIRER. NE VISEZ JAMAIS AVEC L'ARME SUR DES PERSONNES OU DES ANIMAUX.



1. Viser

EN

DE

FR

ES

# MAUSER MP40 CAL. .22 LR HV



RIMFIRE

## RÉGLAGE DU SYSTÈME DE VISÉE

### AVERTISSEMENT

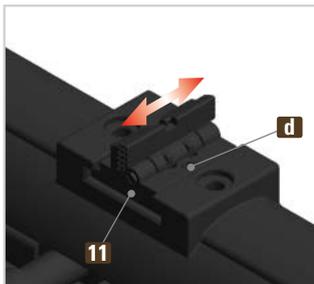
TOURNEZ TOUJOURS LA SÛRETÉ DANS LA POSITION « S ». (SÛRETÉ ENCLENCHÉE) ET POINTEZ LA BOUCHE DE L'ARME DANS UNE DIRECTION SÛRE.



#### 1. Réglage rapide de la hausse :

Rabattez la feuille de mire **c** vers le haut pour viser plus haut.

Rabattez la feuille de mire vers **c** le bas pour viser plus bas.

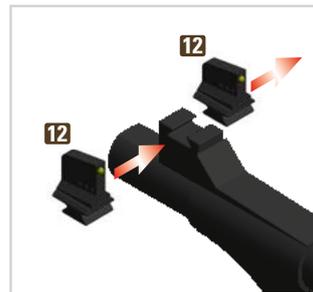
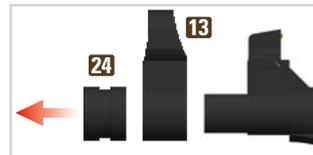


#### 2. Réglage en dérive (gauche et droite) :

Retirez la vis **d**.

**Pour le tir trop à droite :** Réglez la hausse **11** arrière vers la gauche.

**Pour le tir trop à gauche :** Réglez la hausse **11** arrière vers la droite. Serrez de nouveau la vis de fixation **d**.



3. Réglage en hauteur du guidon :  
Dévissez la plaque de bouche **24** et retirez la bague du guidon **13** vers l'avant.

Retirez maintenant le guidon en le faisant glisser sur le côté et remplacez-le par un guidon plus court ou plus long. Quatre longueurs de guidon supplémentaires sont comprises dans la livraison. Le guidon central (3 points) est prémonté.

Si le point d'impact est trop haut, installez le guidon plus long **12**.

Si le point d'impact est trop bas, installez le guidon plus court **12**.



Glissez la bague du guidon **13** sur le guidon et fixez-la à l'aide de la plaque de bouche **24**.

# MAUSER MP40 CAL. .22 LR HV



RIMFIRE

## ENTRETIEN – DÉMONTAGE POUR LE NETTOYAGE

### AVERTISSEMENT

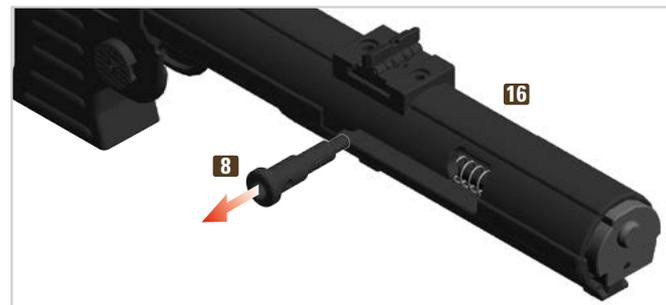
- TOURNEZ LA SÛRETÉ DANS LA POSITION « S ». (SÛRETÉ ENCLENCHÉE).
- VEILLEZ À TOUJOURS MAINTENIR L'ARME POINTÉE DANS UNE DIRECTION SÛRE.
- ENLEVEZ LE DOIGT DE LA DÉTENTE.
- ASSUREZ-VOUS QUE LA CHAMBRE À CARTOUCHES EST VIDE.
- VÉRIFIEZ QUE L'ARME EST DÉCHARGÉE ET DÉSARMÉE.



1. Retirez la vis de démontage **15**.



2. Retirez légèrement la poignée **14** et retirez-la vers le haut.



3. Dévissez le levier d'armement **8** du système **16**.

EN

DE

FR

ES

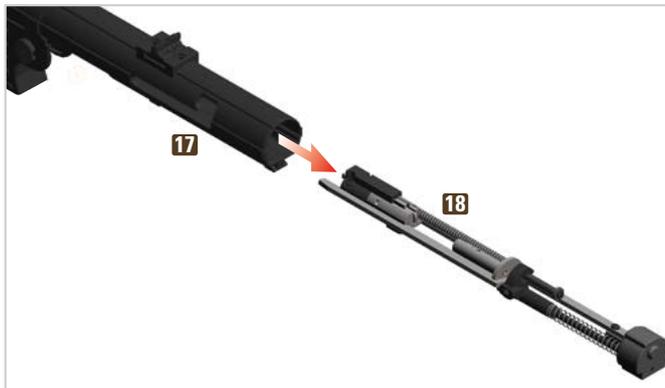
# MAUSER MP40

CAL. .22 LR HV



RIMFIRE

## ENTRETIEN – DÉMONTAGE POUR LE NETTOYAGE



4. Retirez la culasse du boîtier **18** de la culasse **17**.

## RÉGLAGE DE LA DÉTENTE

**REMARQUE :** Pour le réglage de la détente, utiliser une clef à six pans SW 2.



Lors de l'armement, la pièce d'accrochage se positionne sur la gâchette. Lorsqu'on tourne la vis, il est possible d'ajuster la taille du pontet. Celui-ci est en grande partie responsable du recul de la détente, mais il a également une influence secondaire sur le poids de la détente.

Réduire l'accrochage: Tourner la vis **e** dans le sens des aiguilles d'une montre.

Augmenter l'accrochage: Tourner la vis **e** dans le sens inverse des aiguilles d'une montre.

**REMARQUE :** La vis est déjà serrée complètement en usine.

# MAUSER MP40 CAL. .22 LR HV



## ENTRETIEN - NETTOYAGE

### ⚠ ATTENTION

- ABSTENEZ-VOUS DE DÉMONTÉ ENCORE PLUS L'ARME ! LE NETTOYAGE PEUT ÊTRE EFFECTUÉ SANS AUCUN DÉMONTAGE SUPPLÉMENTAIRE. TOUT DÉMONTAGE SUPPLÉMENTAIRE NE DEVRAIT ÊTRE EFFECTUÉ QUE PAR DU PERSONNEL QUALIFIÉ.
- VEILLEZ À N'UTILISER NI DE BROSSES EN ACIER NI D'AUTRES PRODUITS DURS OU ABRASIFS POUR NETTOYER LE CANON OU LES AUTRES PIÈCES MÉTALLIQUES, CAR CEUX-CI RISQUERAIENT D'ENDOMMAGER LES SURFACES INTÉRIEURES DU CANON. N'UTILISEZ QUE DES TIGES DE NETTOYAGE ET DES BROSSES ADAPTÉES AU CALIBRE DE L'ARME.
- LES SOLVANTS RISQUERAIENT D'ENDOMMAGER LA SURFACE DE L'ARME. AVANT D'UTILISER UN QUELCONQUE PRODUIT DE NETTOYAGE OU SOLVANT, LISEZ TOUJOURS LES INSTRUCTIONS DU FABRICANT.

### Étapes à suivre :

Humidifiez une tige de nettoyage adaptée avec de l'huile pour armes et introduisez-la dans le canon en passant par-dessus la chambre. Enlevez soigneusement tous les résidus de poudre et les salissures du canon et de la chambre à cartouches. Essayez les résidus de poudre et l'huile se trouvant dans l'alsage du canon et dans la chambre à cartouches au moyen de chiffons de nettoyage. Huilez légèrement la chambre à cartouches et l'intérieur du canon.

## ENTRETIEN - REMONTAGE APRÈS LE NETTOYAGE RIMFIRE



5. Repoussez la culasse **18** dans le boîtier de la culasse **17**, comme le montre l'illustration.



6. Vissez le levier d'armement **8** dans le système **16**.

EN

DE

FR

ES

# MAUSER MP40 CAL. .22 LR HV



RIMFIRE

## ENTRETIEN - REMONTAGE APRÈS LE NETTOYAGE



7. Réinstallez la poignée **14** dans le système **16**.



8. Fixez la poignée à l'aide de la vis de démontage **15**.

## ENTRETIEN

### ATTENTION

- PRENEZ GARDE À CE QUE L'ARME SE TROUVE TOUJOURS DANS UN ÉTAT IMPECCABLE ET À CE QU'ELLE SOIT PARFAITEMENT FONCTIONNELLE.
- NETTOYEZ L'ARME APRÈS CHAQUE UTILISATION.
- NE MODIFIEZ OU NE RÉPAREZ JAMAIS VOUS-MÊME LES ÉQUIPEMENTS OU LES COMPOSANTS DE L'ARME.
- FAITES VÉRIFIER L'ÉTAT DE L'ARME UNE FOIS PAR AN PAR UN ARMURIER QUALIFIÉ CAR LES DÉFAUTS, L'USURE, LA CORROSION, ETC. NE SONT PAS TOUJOURS VISIBLES DE L'EXTÉRIEUR.
- POUR LES RÉPARATIONS ET TRAVAUX D'ENTRETIEN, NOUS VOUS RECOMMANDONS TOUTEFOIS DE RENVOYER L'ARME À VOTRE REVendeur QUI TIEN TOUJOURS EN STOCK UNE GAMME COMPLÈTE DE PIÈCES DE RECHANGE.

# MAUSER MP40 CAL. .22 LR HV



RIMFIRE

## DÉPANNAGE - JAM REMOVAL

EN

DE

FR

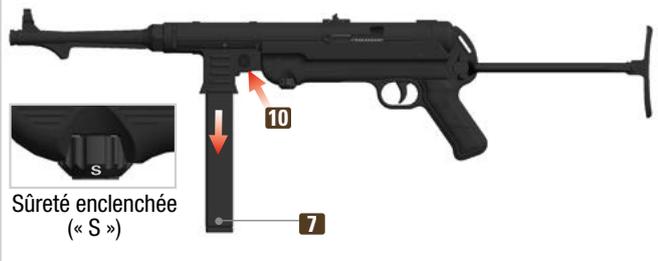
ES

### ⚠ ATTENTION

UN ENTRETIEN DE L'ARME (NETTOYAGE ET INSPECTION) CONFORMÉMENT AUX CONSIGNES PERMET D'ÉVITER DES DYSFONCTIONNEMENTS. SI UN DYSFONCTIONNEMENT DEVAIT TOUTEFOIS SURVENIR PENDANT LE TIR, PROCÉDEZ ALORS DE LA FAÇON SUIVANTE :

### ⚠ AVERTISSEMENT

- TOURNEZ LA SÛRETÉ DANS LA POSITION « S » . (SÛRETÉ ENCLENCHÉE).
- POINTEZ L'ARME DANS UNE DIRECTION SÛRE ET TENEZ VOS DOIGTS ÉLOIGNÉS DE LA DÉTENTE LORSQUE VOUS SUIVEZ LES ÉTAPES DÉCRITES CI-DESSOUS.



1. Appuyez sur le bouton de retenue/dégagement du magasin **10** et enlevez le magasin **7**.



2. Tirez le levier d'armement **8** vers l'arrière jusqu'à la butée.
3. Retirez toutes les cartouches, toutes les douilles et tout corps étranger.
4. Vérifiez (visuellement ou avec un outil) qu'aucun projectile, aucune cartouche, aucune douille de cartouche ou aucun corps étranger ne se trouve ni dans l'alésage du canon ni dans la chambre à cartouches.
5. Si un projectile est coincé dans l'alésage, démontez l'arme et faites supprimer le blocage par un armurier qualifié à l'aide d'un outil approprié.
6. Nettoyez et lubrifiez l'arme et assemblez-la.
7. Faites inspecter l'arme par un armurier ou un mécanicien d'armes.

# MAUSER MP40 CAL. .22 LR HV



## STOCKAGE, RANGEMENT ET TRANSPORT EN TOUTE SÉCURITÉ

### STOCKAGE ET RANGEMENT

#### **AVERTISSEMENT**

- CONSERVEZ VOTRE FUSIL TOUJOURS NON CHARGÉ ET NETTOYÉ.
- STOCKEZ L'ARME TOUJOURS SÉPARÉE DE SES MUNITIONS ET SOUS CLÉ.
- LES ENFANTS OU DES PERSONNES NON EXPÉRIMENTÉES OU NON AUTORISÉES NE DOIVENT PAS AVOIR ACCÈS À L'ARME ET AUX MUNITIONS.
- VEILLEZ À RESPECTER TOUTES LES RÉGLEMENTATIONS EN VIGUEUR RELATIVES AU STOCKAGE DES ARMES À FEU.

### TRANSPORT

#### **AVERTISSEMENT**

- POUR VOTRE PROPRE SÉCURITÉ ET LA SÉCURITÉ D'AUTRUI, **NE TRANSPORTEZ L'ARME QUE LORSQU'ELLE EST COMPLÈTEMENT DÉCHARGÉE ET DÉSARMÉE.**
- NE TRANSPORTEZ JAMAIS UNE ARME DÉJÀ ARMÉE ET CONTENANT UNE CARTOUCHE DANS LA CHAMBRE.
- TRANSPORTEZ L'ARME SÉPARÉMENT DES MUNITIONS.
- VEILLEZ À RESPECTER TOUTES LES RÉGLEMENTATIONS EN VIGUEUR RELATIVES AU TRANSPORT DES ARMES À FEU.

### GARANTIE

En cas de recours à la garantie, veuillez vous adresser à votre revendeur spécialisé.

Décrivez-lui le problème et joignez le bon d'achat.

### MISE AU REBUT/ÉLIMINATION

Respectez rigoureusement toutes les réglementations légales nationales en vigueur relatives à la mise au rebut/à l'élimination des armes à feu.

### ACCESSOIRES

Les accessoires assortis à l'arme sont disponibles à partir du site Web suivant : [www.germansportguns.de](http://www.germansportguns.de)

- Modèle d'arme (calibre, désignation)
- Numéro de série d'arme
- Numéro d'article et numéro de pièce

Les informations continues dans cette notice peuvent faire l'objet de modifications sans préavis. Veuillez visiter notre site Web [www.germansportguns.de](http://www.germansportguns.de) pour consulter la plus récente version téléchargeable de la notice et pour découvrir d'autres détails intéressants sur GSG et sur votre modèle.

# MAUSER MP40 CAL. .22 LR HV



## INTRODUCCIÓN

EN

DE

FR

ES

Descripción	Página
Instrucciones de seguridad	50-51
Denominación de las piezas/Datos técnicos	52
Montaje de la culata	53
Dispositivos de seguridad	53
Cargar	54-55
Disparar	55-56
Recargar durante el tiro	56
Decargar el arma (cargador no vacío)	56-57
Decargar el arma (cargador vacío)	57
Desarmatillar el arma	58
Miras/ Ajustar las miras	58-59
Mantenimiento - desmontar el arma para limpieza	60-61
Ajuste del gatillo	61
Mantenimiento - limpieza	62
Mantenimiento - remontaje después de la limpieza	62-63
Cuidado del arma	63
Solución de problemas y eliminación de fallos	64
Conservación, almacenamiento seguro y transporte del arma	65
Garantía	65
Eliminación	65

### **WARNING**

ESTE PRODUCTO PUEDE EXPONERLE A PRODUCTOS QUÍMICOS, ENTRE LOS QUE SE INCLUYE EL PLOMO, SOBRE EL CUAL EL ESTADO DE CALIFORNIA HA RECONOCIDO QUE PUEDE PROVOCAR CÁNCER Y DEFECTOS DE NACIMIENTO, ASÍ COMO OTROS DAÑOS REPRODUCTIVOS. PARA MÁS INFORMACIÓN, VISITE [WWW.P65WARNINGS.CA.GOV](http://WWW.P65WARNINGS.CA.GOV).

## **INSTRUCCIONES DE SEGURIDAD** RIMFIRE

### **ADVERTENCIA**

EL INCUMPLIMIENTO DE LAS INSTRUCCIONES Y RECOMENDACIONES EXPUESTAS EN ESTE MANUAL PUEDE RESULTAR EN LESIONES CORPORALES GRAVES (INCLUYENDO LESIONES DE LA CARA, DE LOS OJOS, DE LAS OREJAS, ASÍ COMO LA CEGUERA, LA SORDERA) Y TAMBIÉN PUEDE CAUSAR LA MUERTE.

- Nunca haga uso del arma bajo la influencia del alcohol o de drogas, si está enfermo o padece cualquier otro tipo de molestias; todo ello puede disminuir su capacidad de juicio o sus reflejos.
- Antes de utilizar el arma, asegúrese de estar completamente familiarizado con todas sus funciones y de ser consciente de los peligros que pueden resultar en caso de no seguir las instrucciones.
- Siempre trate el arma como si estuviera cargada y como si el seguro estuviera desactivado hasta comprobar lo contrario.
- Siempre mantenga la boca del arma apuntando hacia una dirección segura. Por dirección segura se entiende una zona en la que no se encuentren ni personas (incluido usted mismo), ni animales, ni objetos sobre los que no tenga intención de disparar.
- Nunca apunte la pistola hacia puertas, placas de vidrio/ventanas, paredes, hormigón, piedras o superficies planas (incluyendo agua). Un proyectil puede atravesar estos materiales o ser desviado en una dirección no segura.
- No se fíe nunca de los mecanismos de seguridad, ya que éstos no son en ningún caso un sustituto para una manipulación precavida, correcta y segura del arma.
- Nunca dispare con un arma en la que se haya(n) infiltrado agua, arena, suciedad u otros cuerpos extraños.

# MAUSER MP40 CAL. .22 LR HV



## INSTRUCCIONES DE SEGURIDAD

- Nunca deje el arma cargada y descárguela siempre inmediatamente después de disparar, antes de depositar el arma, enfundarla en una pistolera o entregarla a otra persona autorizada.
- Antes de guardar el arma, quite primero el cargador y luego verifique que no haya ningún cartucho en la recámara.
- No entregue el arma nunca a una persona que no se haya familiarizado en profundidad con las indicaciones de seguridad así como con el manejo del arma mediante la lectura de las instrucciones de uso pertinentes.
- Nunca deje el arma sin vigilancia y manténgala siempre fuera del alcance de las manos de personas no autorizadas.
- Guarde siempre por separado el arma y la munición y asegúrese de que no se hallen al alcance de niños o personas no autorizadas.
- Mientras no dispare, siempre mantenga su dedo fuera del gatillo.
- Asegúrese de siempre tener un parabalas adecuado, y nunca dispare hacia el cielo.
- Compruebe que usted y cualquier otra persona cerca de usted utilicen orejeras y gafas de protección ocular apropiadas (gafas de tiro).
- Durante las sesiones de tiro en campos de tiro cerrados se debe asegurar una ventilación suficiente.
- No intente nunca cruzar obstáculos, ríos, cercos u objetos similares con un arma cargada.
- Mantenga sus dedos fuera de las partes móviles del arma, es decir, fuera de la parte expuesta del cerrojo en la ventana de expulsión, fuera de la palanca de carga así como fuera de la boca del arma.
- Utilice para el arma únicamente municiones de calidad comercial y fabricadas de conformidad con las normas CIP o SAAMI. Nunca use municiones no normalizadas, reacondicionadas/recargadas o cargadas a mano.
- Nunca utilice munición que presente deformaciones de cualquier tipo o que haya sido deformada debido a un mal funcionamiento del arma.
- Si usted observa un mal funcionamiento (p.ej. un fallo de extracción, un fallo de alimentación, un fallo de expulsión o un atasco de vaina (es decir, un casquillo atrapado), deje de disparar inmediatamente y descargue la pistola.
- Si, debido a un cartucho no cargado o insuficientemente cargado, un proyectil no sale del cañón, este fallo es reconocible por un retroceso anormalmente ligero e incluso ausente y/o por la debilidad o ausencia de fognazo. En todos esos casos, deje de disparar inmediatamente hasta que el arma haya sido debidamente examinada y el proyectil problemático retirado por un armero profesional. ¡No intente nunca sacar una bala atascada por medio de otro disparo!
- En caso de un fallo de encendido, espere al menos un minuto mientras continuando a apuntar el arma lista para disparar hacia el blanco o en una dirección segura; después, descargue el arma.



## ADVERTENCIA

¡SE REQUIERE PROTECCIÓN DE LOS OJOS Y AUDITIVA  
SIEMPRE USE GAFAS Y LA PROTECCIÓN AUDITIVA.



# MAUSER MP40 CAL. .22 LR HV



RIMFIRE

## DENOMINACIÓN DE LAS PIEZAS

12 Punto de mira / 13 Anillo de la mira    8 Palanca de amartillado    11 Mira trasera    2 Culata Plegable    20 Cantonera

24 Boca/  
Tuerca de la boca

1 Botón de seguridad

3 Botón de retención

7 Cargador

10 Botón de retenida  
del cargador

9 Gatillo

14 Empuñadura

19 Recámara de cartuchos

15 Tornillo de  
desmontaje

## DATOS TÉCNICOS

Calibre .22 Long Rifle HV

Capacidad del cargador 25/10\*

\*opcional

EN

DE

FR

ES

# MAUSER MP40 CAL. .22 LR HV



RIMFIRE

## CULATA PLEGABLE



1. Pliegue la tapa de la culata **20** hacia adelante y arriba como se ilustra en la imagen.



2. Presione el botón de retención **3** y pliegue la culata plegable **2** bajo el arma.

## DISPOSITIVOS DE SEGURIDAD

### ⚠ ADVERTENCIA

NUNCA LLEVE NI TRANSPORTE EL ARMA MIENTRAS ESTÉ AMARTILLADA Y/O CARGADA. ES MEJOR AMARTILLAR EL ARMA SOLAMENTE INMEDIATAMENTE ANTES DE DISPARAR.

## DISPOSITIVOS DE SEGURIDAD



### 1. Seguro

Si puede ver el símbolo „S“ desde el lateral, el arma está asegurada. Si puede ver el símbolo „F“ desde el lateral, el arma está lista para disparar.

**Nota:** Cuando el cargador **7** se encuentra fuera del arma, el gatillo se bloquea y el arma está en modo seguro.

### ⚠ ADVERTENCIA

NO APUNTE EL ARMA A OBJETOS A LOS CUALES NO PIENSA DISPARAR. NO APUNTE NUNCA A PERSONAS O ANIMALES.

# MAUSER MP40 CAL. .22 LR HV

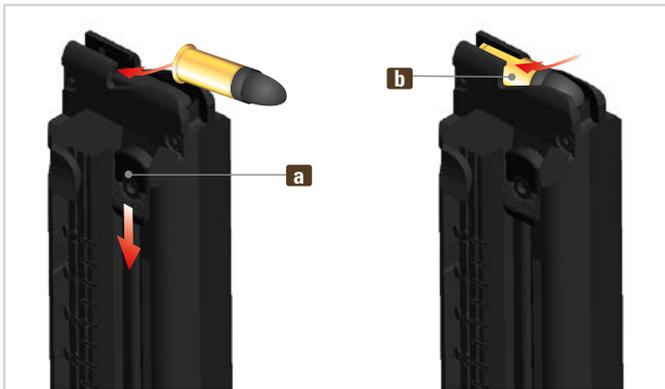


RIMFIRE

## CARGAR EL CARGADOR

### ⚠ ADVERTENCIA

UTILICE PARA EL ARMA ÚNICAMENTE MUNICIÓN DE CALIDAD COMERCIAL, ENTREGADA EN SU EMBALAJE ORIGINAL Y CORRESPONDIENTE AL CALIBRE DEL ARMA. EL CALIBRE CORRECTO ESTÁ GRABADO EN EL ARMA. UTILICE PARA EL ARMA ÚNICAMENTE MUNICIONES DE CALIDAD COMERCIAL, FABRICADAS DE CONFORMIDAD CON LAS NORMAS CIP O SAAMI. NUNCA USE MUNICIONES NO NORMALIZADAS, REACONDICIONADAS/RECARGADAS O CARGADAS A MANO.



1. Tire el botón de alimentación **a** del cargador **7** hacia abajo e inserte el cartucho **b** (como se muestra en la figura) hasta el tope trasero.

**Nota:** Cargue en el cargador solamente la cantidad de cartuchos que desee disparar (máx. 25/10\* cartuchos).

## CARGAR EL ARMA

### ⚠ ADVERTENCIA

SIEMPRE MANTENGA EL ARMA ASEGURADA (CON EL SEGURO PUESTO), DESAMARTILLADA Y DESCARGADA HASTA QUE ESTÉ LISTO PARA DISPARAR.

### ⚠ ADVERTENCIA

- EL BOTÓN DE SEGURIDAD SIEMPRE DEBE COLOCARSE EN LA POSICIÓN „S“ (SEGURO ACTIVADO). NUNCA CARGUE NI DESCARGUE EL ARMA DENTRO DE UN VEHÍCULO O EN OTRO ESPACIO CONFINADO (EXCEPTO EN UN CAMPO DE TIRO ADECUADO). ANTES DE CARGAR EL ARMA, LIMPIE LA GRASA Y EL ACEITE SOBREPANTES Y COMPRUEBE VISUALMENTE LA AUSENCIA DE MATERIAS O CUERPOS EXTRAÑOS EN EL CAÑÓN.
- MANTENGA LA BOCA DEL ARMA SIEMPRE ORIENTADA HACIA UNA DIRECCIÓN SEGURA.
- NO PONGA EL DEDO EN EL GATILLO, SINO QUE MANTÉNGALO FUERA DEL GUARDAMONTE.
- CARGUE EL ARMA SÓLO EN EL MOMENTO INMEDIATAMENTE PREVIO AL DISPARO, INSERTANDO EL CARGADOR.
- TIRE LA PALANCA DE AMARTILLADO HACIA ATRÁS PARA CARGAR EL PRIMER CARTUCHO. **NO CONFÍE NUNCA EXCLUSIVAMENTE EN LOS MECANISMOS DE SEGURIDAD DEL ARMA. LOS MECANISMOS DE SEGURIDAD NO PUEDEN NUNCA SUSTITUIR UN MANEJO CUIDADOSO Y CORRECTO DEL ARMA.**
- NUNCA DEJE UN ARMA CARGADA EN MANOS DE OTRA PERSONA.

EN

DE

FR

ES

# MAUSER MP40 CAL. .22 LR HV



RIMFIRE



1. Inserte el cargador cargado **7** y compruebe que esté completamente enclavado.



2. Tire la palanca de amartillado **8** hacia atrás hasta el tope, entonces hágala deslizar de nuevo hacia adelante. El arma está cargada y lista para disparar.

## DISPARAR

### ADVERTENCIA

- UTILICE EL ARMA SOLAMENTE CUANDO LA CULATA PLEGABLE ESTÉ BLOQUEADA (PLEGADA).
- CERCÍESE DE QUE SUS DEDOS, MANOS U OTRAS PARTES DEL CUERPO NO SE ENCUENTREN DELANTE, POR ENCIMA O AL LADO DE LA BOCA DEL CAÑÓN O DE LA VENTANA DE EXPULSIÓN DE VAINAS (CASQUILLOS).
- NO PERMITA NUNCA QUE PERSONAS U OTROS SERES VIVOS SE ENCUENTREN SITUADOS EN UN LUGAR DONDE PODRÍAN RECIBIR EL IMPACTO DE LOS CASQUILLOS EXPULSADOS.
- AL DISPARAR, LLEVE SIEMPRE PUESTAS LAS PROTECCIONES AUDITIVAS (OREJERAS) Y LAS GAFAS DE PROTECCIÓN OCULAR (GAFAS DE TIRO). INFORME A LAS PERSONAS DE SUS PROXIMIDADES DE LA NECESIDAD DE TAMBIÉN LLEVAR PROTECCIÓN AUDITIVA (OREJERAS) Y OCULAR (GAFAS DE TIRO).
- INTERRUMPA LOS DISPAROS DE INMEDIATO Y DESCARGUE EL ARMA SI SOSPECHA QUE UN CARTUCHO NO HA SIDO ALIMENTADO CORRECTAMENTE, QUE UNA VAINA (UN CASQUILLO) SE HA ATASCADO, QUE UN PROYECTIL PODRÍA HABER BLOQUEADO EL CAÑÓN O SI UN DISPARO DA LA SENSACIÓN DE SER „DÉBIL“ O EXTRAÑO, O SUENA COMO SI LO FUERA.
- EN CASO DE QUE UN PROYECTIL SE ENCUENTRE ATASCADO EN EL CAÑÓN, NUNCA INTENTE RESOLVER EL PROBLEMA DE BLOQUEO EFECTUANDO OTRO DISPARO.

### ATENCIÓN

AL DISPARAR, NO PONGA LA MANO LIBRE EN EL CARGADOR, PUESTO QUE ESTO PUEDE PROVOCAR FALLOS DE FUNCIONAMIENTO. SIEMPRE SUJETE EL ARMA POR EL GUARDAMANOS.

# MAUSER MP40 CAL. .22 LR HV



RIMFIRE

CARGADOR  
NO VACÍO

## DISPARAR



Listo para disparar (« F »)

1. Coloque el botón de seguridad **1** en la posición „F“ (seguro desactivado). El arma está ahora desasegurada y lista para disparar. Apunte en una dirección segura y accione el gatillo **8**. **Nota:** Después del último disparo, el cerrojo es mantenido en posición abierta.

## RECARGAR DURANTE EL TIRO

### ⚠ ADVERTENCIA

- MANTENGA LA BOCA DEL ARMA SIEMPRE ORIENTADA HACIA UNA DIRECCIÓN SEGURA.
- RETIRE EL DEDO DEL GATILLO.
- DREHEN SIE DEN SICHERUNGSKNOPF IN DIE POSITION „S“ (SEGURO ACTIVADO).



- Pulse el botón de retenida del cargador **10** para liberar el cargador y retire el cargador **7**.
- Inserte el cargador cargado y compruebe que está esté completamente enclavado.
- Tire la palanca de amartillado **8** hacia atrás, entonces hágalo deslizar de nuevo hacia adelante.
- El arma está ahora recargada y amartillada.

## DESCARGAR EL ARMA

### ⚠ ADVERTENCIA

NUNCA DEJE UN ARMA CARGADA EN MANOS DE OTRA PERSONA.

### ⚠ ADVERTENCIA

- CUANDO EL ARMA ESTÁ CARGADA, UN CARTUCHO SE ENCUENTRA EN LA RECÁMARA.
- NUNCA PONGA SU MANO POR ENCIMA DE LA VENTANA DE EXPULSIÓN DE CARTUCHOS.
- APUNTE LA BOCA DEL ARMA EN UNA DIRECCIÓN SEGURA.
- COLOQUE EL BOTÓN DE SEGURIDAD EN LA POSICIÓN “S” (SEGURO ACTIVADO).



Seguro activado (« S »)

1. Active el seguro del arma **1** y pulse el botón de retenida del cargador **10** para retirar el cargador **7**.

EN

DE

FR

ES

# MAUSER MP40 CAL. .22 LR HV



RIMFIRE

CARGADOR  
VACÍO

## DESCARGAR EL ARMA



2. Tire la palanca de amartillado **8** hacia atrás hasta el tope para hacer expulsar el cartucho. Compruebe (visual y manualmente con dispositivos de ayuda adecuados) que el cartucho ha sido expulsado y asegúrese de que la recámara esté realmente vacía. Haga deslizar la palanca de amartillado de nuevo hacia adelante.

### **ADVERTENCIA**

EL ARMA ESTÁ AHORA DESCARGADA, PERO NO DESAMARTILLADA.



3. Vacíe el cargador. Recoja el cartucho expulsado y limpie el arma.



1. Active el seguro del arma **1** y pulse el botón de retenida del cargador **10** para retirar el cargador **7**. Después del último cartucho, la ventana de expulsión de vainas (casquillos) debe encontrarse en posición abierta. Compruebe (visual y manualmente con dispositivos de ayuda adecuados) que el cartucho ha sido expulsado y asegúrese de que la recámara esté realmente vacía.

### **ADVERTENCIA**

EL ARMA ESTÁ AHORA DESCARGADA, PERO NO DESAMARTILLADA.

# MAUSER MP40 CAL. .22 LR HV



RIMFIRE

## DESAMARTILLAR EL ARMA

### **ADVERTENCIA**

COMPRUEBE QUE NINGÚN CARTUCHO SE HAYA QUEDADO EN EL CAÑÓN O EN LA RECÁMARA DE CARTUCHOS.

#### Desamartillar:

1. Retire el cargador vacío.
2. Inserte el indicador de carga en el compartimiento del cartucho.
3. Tire la palanca de amartillado hacia atrás, entonces hágala deslizar de nuevo hacia adelante. Al mismo tiempo, el cerrojo debe saltar de nuevo hacia adelante de modo que la ventana de expulsión de vainas (casquillos) pueda cerrarse.
4. Inserte un cargador **vacío**.
5. Ponga la palanca del seguro en la posición "F" (arma lista para disparar), apunte el arma en una dirección segura y accione el gatillo.

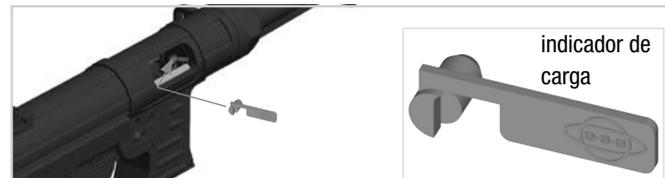
### **ATENCIÓN**

ACCIONE EL GATILLO SÓLO CUANDO UN CARGADOR VACÍO ESTÉ INSERTADO Y A CONDICIÓN DE QUE NINGÚN CARTUCHO SE HAYA QUEDADO EN LA RECÁMARA DE CARTUCHOS.

6. El percutor salta hacia adelante, el arma está ahora desamartillada.
7. Vuelva a colocar el botón de seguridad en la posición „S“ (seguro activado) y retire el cargador vacío.

### **ADVERTENCIA**

SI, DESPUÉS DE ESTE PROCEDIMIENTO, USTED MUEVE LA PALANCA DE AMARTILLADO HACIA ATRÁS, EL ARMA SE REAMARTILLA, LO QUE SIGNIFICA QUE ; EL ARMA ESTÁ DE NUEVO LISTA PARA DISPARAR!



indicador de carga

## MIRAS

### **ADVERTENCIA**

NO APUNTE EL ARMA A OBJETOS A LOS CUALES NO PIENSA DISPARAR. NO APUNTE NUNCA A PERSONAS O ANIMALES.



1. Apuntar

EN

DE

FR

ES

# MAUSER MP40 CAL. .22 LR HV



RIMFIRE

## AJUSTAR LAS MIRAS

### ⚠ ADVERTENCIA

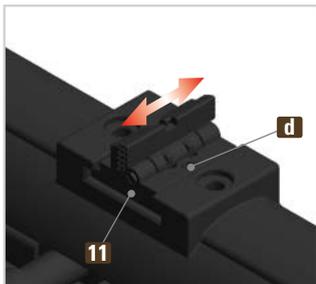
ANTES DE PROCEDER A CUALQUIER AJUSTE, COLOQUE SIEMPRE EL BOTÓN DE SEGURIDAD EN LA POSICIÓN „S“ (SEGURO ACTIVADO) Y APUNTE LA BOCA DEL ARMA EN UNA DIRECCIÓN SEGURA.



#### 1. Ajuste rápido de la mira:

Pliegue la hoja de la mira **c** hacia arriba para apuntar más arriba.

Pliegue la hoja de la mira **c** hacia abajo para apuntar más abajo.



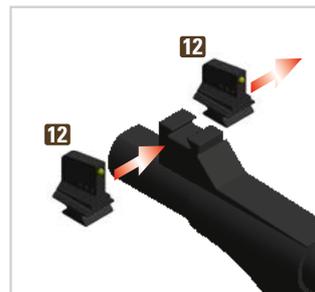
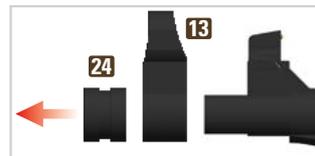
#### 2. Ajuste en deriva (derechoizquierda):

Quitar el tornillo **d**.

**Si el punto de impacto está demasiado desplazado hacia la derecha:** Schieben Sie die Kimme **11** nach links.

**Si el punto de impacto está demasiado desplazado hacia la izquierda:** Schieben Sie die Kimme **11** nach rechts.

Vuelva a apretar el tornillo de fijación **d**.



#### 3. Ajuste de altura de la mira:

Desenrosque la tapa de la boca **24** y desmonte el anillo de la mira **13** hacia adelante.

Ahora, desplace la mira hacia un lado y sustitúyala por una más corta o más larga. Entre las partes suministradas encontrará cuatro longitudes de mira adicionales. La mira intermedia (3 puntos) es la premontada)

Si el punto de impacto es demasiado alto, utilice el punto de mira mayor (más alto) **12**. Si el punto de impacto es demasiado bajo, utilice el punto de mira más pequeño (más bajo) **13**.



Deslice el anillo de la mira **13** por la mira y fíjelo con la tapa de la boca **24**.

# MAUSER MP40 CAL. .22 LR HV



RIMFIRE

## MANTENIMIENTO DESMONTAR EL ARMA PARA LIMPIEZA

EN

DE

FR

ES

### ⚠ ADVERTENCIA

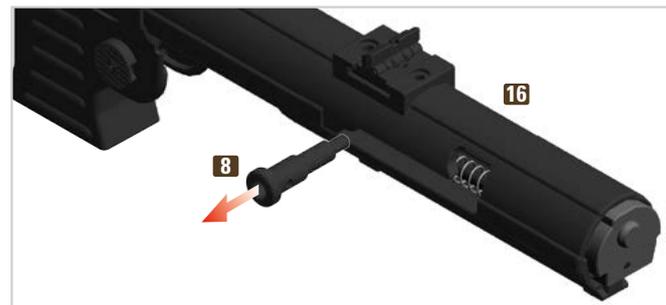
- COLOQUE EL BOTÓN DE SEGURIDAD EN LA POSICIÓN "S" (SEGURO ACTIVADO).
- SIEMPRE MANTENGA EL ARMA APUNTADA EN UNA DIRECCIÓN SEGURA.
- RETIRE EL DEDO DEL GATILLO.
- ASEGÚRESE DE QUE LA RECÁMARA DE CARTUCHOS ESTÉ VACÍA.
- VERIFIQUE QUE EL ARMA ESTÉ DESCARGADA Y DESAMARTILLADA.



1. Retire el tornillo de desmontaje **15**.



2. Tire de la empuñadura **14** ligeramente hacia atrás y llévela hacia arriba.



3. Desenrosque la palanca de amartillado **8** del sistema **16**.

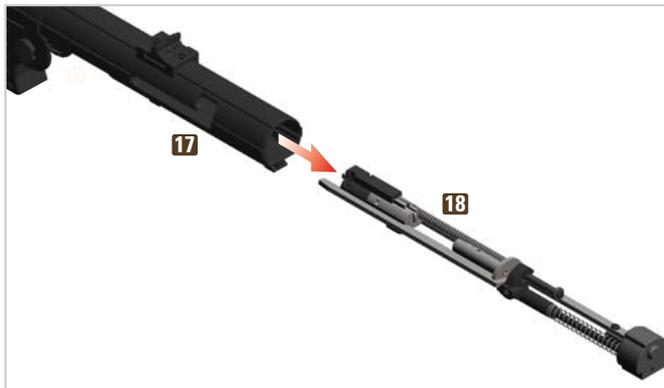
# MAUSER MP40

CAL. .22 LR HV



RIMFIRE

## MANTENIMIENTO DESMONTAR EL ARMA PARA LIMPIEZA



4. Retire del cierre de la carcasa **18** del cerrojo **17**.

## AJUSTE DEL GATILLO

**Nota:** Utilice una llave hexagonal (Allen) SW 2 para ajustar el gatillo.



Al amartillar la carabina, el fiador se engancha en la palanca del gatillo. El enganche se ajusta girando el tornillo. Dicho enganche se encarga fundamentalmente de arrastrar el gatillo y, en un segundo plano, también afecta al peso de este último.

Para disminuir el enganche: Gire el tornillo de enganche **e** en sentido horario.

Para aumentar el enganche: Gire el tornillo de enganche **e** en sentido antihorario.

**Nota:** El tornillo ya está apretado completamente de fábrica.

# MAUSER MP40 CAL. .22 LR HV



RIMFIRE

## MANTENIMIENTO - LIMPIEZA

### ⚠️ ATENCIÓN

- NO DESMONTE EL ARMA MÁS ALLÁ DE LO INDICADO EN ESTE MANUAL DE INSTRUCCIONES – LA LIMPIEZA PUEDE HACERSE SIN DESMONTAJE ADICIONAL. CUALQUIER DESMONTAJE ADICIONAL DEBERÁ SER REALIZADO EXCLUSIVAMENTE POR UN PERSONAL CALIFICADO.
- NUNCA UTILICE CEPILLOS DE ACERO NI OTROS OBJETOS DUROS O ABRASIVOS PARA LIMPIAR EL CAÑÓN U OTRAS PARTES METÁLICAS DEL ARMA, YA QUE ÉSTOS PUEDEN DAÑAR LA SUPERFICIE INTERIOR DEL CAÑÓN. SÓLO UTILICE VARILLAS DE LIMPIEZA Y CEPILLOS ADECUADOS PARA EL CALIBRE DEL ARMA.
- LOS DISOLVENTES PUEDEN DAÑAR LA SUPERFICIE DEL ARMA. ANTES DE UTILIZAR UN DETERGENTE O DISOLVENTE, OBSÉRVESE LAS INDICACIONES Y ADVERTENCIAS DEL FABRICANTE.

### Pasos a seguir para la limpieza:

Humedezca un cepillo de limpieza adecuado con aceite para armas e insértelo en el cañón a través de la recámara. Con el cepillo elimine cuidadosamente los residuos de pólvora y la suciedad del cañón y de la recámara.

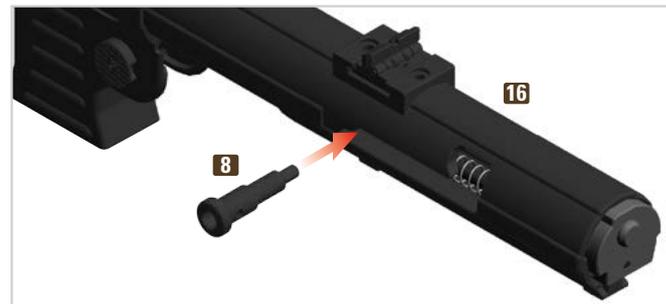
Use parches de limpieza para quitar el aceite y los residuos de pólvora del interior (alma) del cañón y de la recámara de cartuchos.

Lubrique ligeramente el interior de la recámara y el interior del cañón.

## MANTENIMIENTO REMONTAJE DESPUÉS DE LA LIMPIEZA



5. Deslice el cierre **18** por la carcasa del cerrojo **17** como se ilustra en la imagen.



6. Enrosque la palanca de amartillado **8** en el sistema **16**.

EN

DE

FR

ES

# MAUSER MP40 CAL. .22 LR HV



RIMFIRE

## MANTENIMIENTO REMONTAJE DESPUÉS DE LA LIMPIEZA



7. Coloque la empuñadura **14** de nuevo en el sistema **16**.



8. Fije la empuñadura con el tornillo de desmontaje **15**.

## CUIDADO DEL ARMA

### ⚠ ATENCIÓN

- PRESTE SIEMPRE ATENCIÓN EN QUE EL ARMA ESTÉ SIEMPRE EN PERFECTAS CONDICIONES Y QUE SE ENCUENTRE EN ESTADO PLENAMENTE FUNCIONAL.
- LIMPIE EL ARMA DESPUÉS DE CADA UTILIZACIÓN.
- NUNCA MODIFIQUE NI REPARE USTED MISMO LAS PIEZAS DEL ARMA.
- UNA VEZ POR AÑO, LLEVE EL ARMA A UN ARMERO CALIFICADO PARA QUE LA REVISE, YA QUE LOS DEFECTOS, EL DESGASTE, LA CORROSIÓN, ETC. NO SIEMPRE SE DETECTAN A SIMPLE VISTA.
- NO OBSTANTE, PARA LOS TRABAJOS DE MANTENIMIENTO Y REPARACIONES RECOMENDAMOS QUE ENVÍE EL ARMA A SU DISTRIBUIDOR, PUESTO QUE ÉSTE SIEMPRE TENDRÁ EN STOCK UN SURTIDO COMPLETO DE PIEZAS DE REPUESTO.

# MAUSER MP40 CAL. .22 LR HV



RIMFIRE

## SOLUCIÓN DE PROBLEMAS Y ELIMINACIÓN DE FALLOS

EN

DE

FR

ES

### ⚠️ ATENCIÓN

EL MANTENIMIENTO DEL ARMA (LIMPIEZA Y REVISIÓN) SEGÚN LAS INDICACIONES PUEDE PREVENIR FALLOS DE FUNCIONAMIENTO. SIN EMBARGO, EN CASO DE QUE SURGIERA UN FALLO FUNCIONAL AL DISPARAR, PROCEDA DE LA SIGUIENTE MANERA :

### ⚠️ ADVERTENCIA

- COLOQUE EL BOTÓN DE SEGURIDAD EN LA POSICIÓN "S" (SEGURO ACTIVADO).
- APUNTE EL ARMA EN UNA DIRECCIÓN SEGURA Y MANTENGA LOS DEDOS ALEJADOS DEL GATILLO MIENTRAS EJECUTA LAS ACCIONES QUE SE DESCRIBEN A CONTINUACIÓN:



1. Pulse el botón de retenida del cargador **10** para retirar el cargador **7**.



2. Tire la palanca de amartillado **8** hacia atrás hasta el tope y manténgala en esta posición.
3. Retire todos los cartuchos, todas las vainas (casquillos) y cualquier cuerpo extraño.
4. Compruebe (visualmente o con una herramienta), que no haya ningún proyectil, cartucho, casquillo o cuerpo extraño en el interior (alma) del cañón o en la recámara de cartuchos.
5. Si hay un proyectil atascado en el interior (alma) del cañón, desmonte el arma y encargue a un armero para que elimine el bloqueo con las herramientas apropiadas.
6. Limpie y lubrifique el arma y móntela de nuevo.
7. Haga revisar el arma por un armero o un mecánico de armas.

# MAUSER MP40 CAL. .22 LR HV



## CONSERVACIÓN, ALMACENAMIENTO SEGURO Y TRANSPORTE DEL ARMA

### CONSERVACIÓN Y ALMACENAMIENTO

#### **ADVERTENCIA**

- CONSERVE EL ARMA SIEMPRE DESCARGADA Y EN ESTADO LIMPIO.
- ALMACENE EL ARMA SIEMPRE SEPARADA DE LA MUNICIÓN Y BAJO LLAVE.
- EL ARMA Y LA MUNICIÓN NO DEBEN RESULTAR ACCESIBLES PARA NIÑOS, NI PARA PERSONAS INEXPERTAS O NO AUTORIZADAS.
- ASEGÚRESE DE CUMPLIR LA LEGISLACIÓN VIGENTE EN MATERIA DE ALMACENAMIENTO DE ARMAS DE FUEGO .

### TRANSPORTE

#### **ADVERTENCIA**

- POR SU PROPIA SEGURIDAD Y LA SEGURIDAD DE OTROS, TRANSPORTE SIEMPRE EL ARMA DESCARGADA Y DESAMARTILLADA.
- NO LLEVE NUNCA CONSIGO UN ARMA YA AMARTILLADA QUE CONTIENE UN CARTUCHO EN LA RECÁMARA.
- TRANSPORTE EL ARMA SEPARADA DE LA MUNICIÓN.
- ASEGÚRESE DE CUMPLIR LA LEGISLACIÓN VIGENTE EN MATERIA DE TRANSPORTE DE ARMAS DE FUEGO .

### GARANTÍA

En caso de reclamación de garantía, póngase en contacto con su distribuidor especializado. Descríbale el problema y adjunte el comprobante de compra .

### ELIMINACIÓN

Cumpla rigurosamente con todas las disposiciones legales nacionales en materia de eliminación de armas de fuego.

### ACCESORIOS

Si usted desea pedir accesorios para el arma, sírvase visitar el sitio web [www.germansportguns.de](http://www.germansportguns.de)

En caso de consulta o pedido, sírvase proporcionar las informaciones siguientes:

- Modelo del arma (calibre, denominación)
- Número de serie del arma
- Número de artículo/pieza

Las informaciones contenidas en este manual están sujetas a cambio sin previo aviso. Visite nuestro sitio web [www.germansportguns.de](http://www.germansportguns.de) para obtener la más reciente versión descargable del manual y para aprender más detalles sobre GSG y su modelo.

MAUSER MP40 CAL. .22 LR HV



MAUSER MP40

CAL. .22 LR HV



RIMFIRE



**Service & Distributor USA**  
Blue Line Solutions USA

Phone: +1-360-778-2052  
[info@blueline.global](mailto:info@blueline.global)  
[www.blueline.global](http://www.blueline.global)

**Service & Distributor Canada**  
Blue Line Solutions Canada

Phone: +1-604-428-2583  
[info@blsolutions.ca](mailto:info@blsolutions.ca)  
[www.blsolutions.ca](http://www.blsolutions.ca)



GERMAN SPORT GUNS

**Hersteller**

German Sport Guns GmbH  
Auf den Geeren 23  
D-59469 Ense-Höingen

Telefon: +49 (0)2938 97839-0

[www.germansportguns.de](http://www.germansportguns.de)  
[info@germansportguns.de](mailto:info@germansportguns.de)

